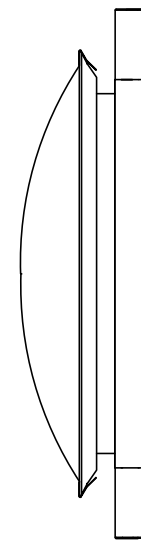
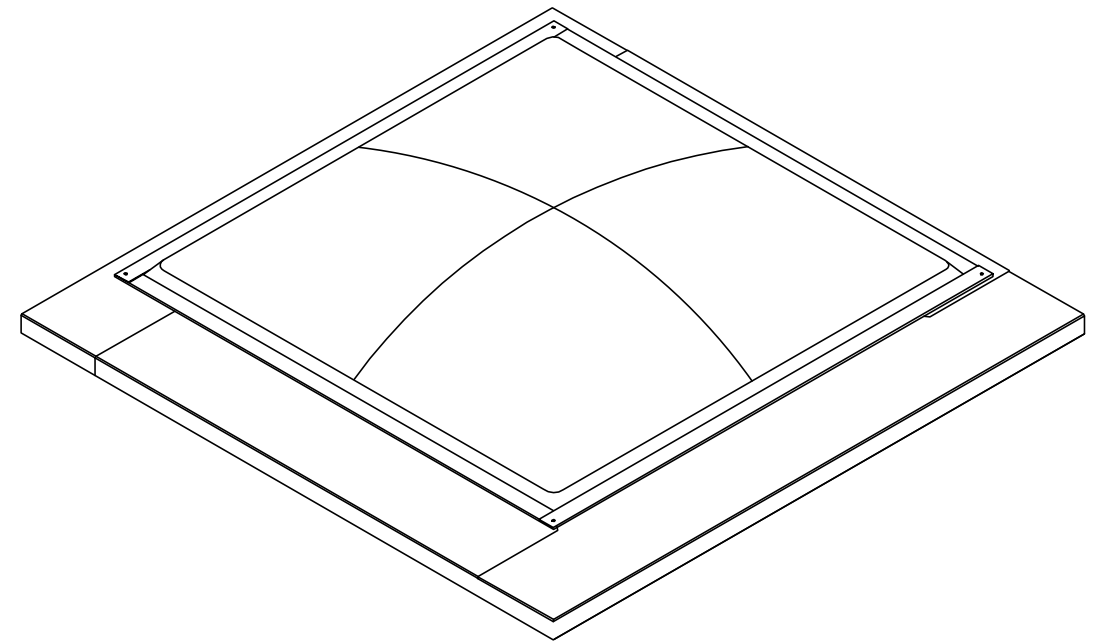


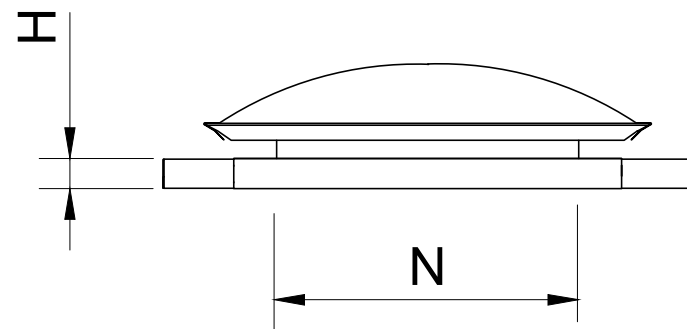
TOP VIEW



LEFT VIEW



ISOMETRIC VIEW



FRONT VIEW

LEGEND:
 A = WIDTH
 B = LENGTH
 H = HEIGHT
 N = NOMINAL SIZE

TRADITIONAL SKYLIGHT - KLIPLOK (SQUARE)				
PRODUCT CODE	A (mm)	B (mm)	H (mm)	N (mm)
SL(V)400AU	700	700	40	400 x 400
SL(V)500AU	800	800	40	500 x 500
SL(V)600AU	900	900	40	600 x 600
SL(V)800AU	1000	1000	40	800 x 800
SL(V)900AU	1200	1200	40	900 x 900
SL(V)1000AU	1300	1300	40	1000 x 1000
SL(V)1100AU	1400	1400	40	1100 x 1100
SL(V)1200AU	1500	1500	40	1200 x 1200

TRADITIONAL SKYLIGHT - KLIPLOK (RECTANGULAR)				
PRODUCT CODE	A (mm)	B (mm)	H (mm)	N (mm)
SL(V)4080AU	700	1100	40	400 x 800
SL(V)5070AU	800	1000	40	500 x 700
SL(V)50110AU	800	1400	40	500 x 1100
SL(V)4060AU	700	900	40	400 x 600
SL(V)40110AU	700	1400	40	400 x 1100
SL(V)6090AU	900	1200	40	600 x 900
SL(V)60120AU	900	1500	40	600 x 1200
SL(V)80110AU	1100	1400	40	800 x 1100

DO NOT SCALE DRAWINGS, USE FIGURED DIMENSIONS

Rev.	Issue / Amendment	By	App.Date
P1	ONLINE OVERVIEW	KC	21/03/19

Client

Project
ONLINE PRODUCT OVERVIEW

Title
TRADITIONAL SKYLIGHT METALDECK - KLIPLOK

Designed
RLF

Scale at A3 Date Drawn
21/03/19 KC

Job No. Drawing No. Amdt.
SL-AU-KLIPLOK P1



12 Turbo Road,
Kings Park,
NSW 2148

© 2019 SkySpan
All Rights Reserved.

COPYRIGHT: THE DESIGN AND DETAILS SHOWN ON THIS DRAWING ARE SPECIFIC TO THIS PROJECT ONLY AND MAY NOT BE REPRODUCED IN WHOLE OR IN PART OR BE USED FOR ANY OTHER PROJECT OR PURPOSE WITHOUT THE WRITTEN CONSENT OF SKYSPAN AUSTRALIA PTY LTD.