
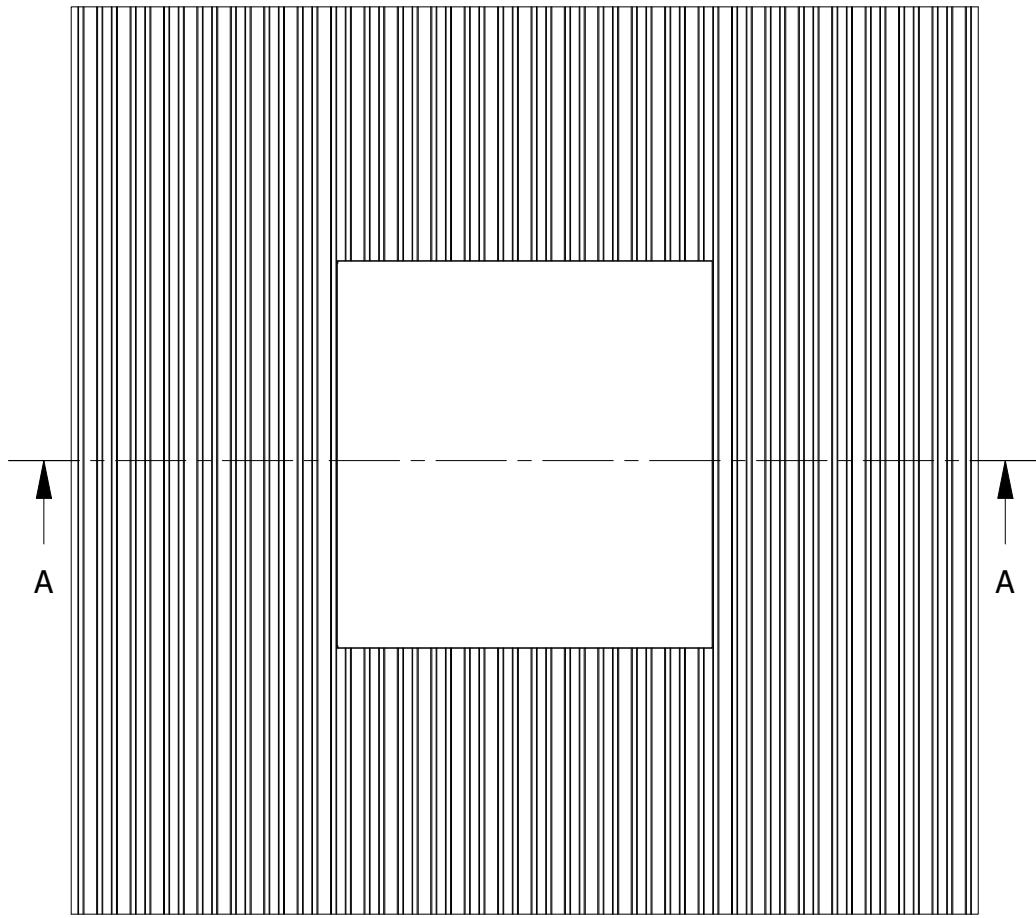


CLIENT:	DESIGNER: C.QUINOL	DATE CREATED: 01-Aug-2023	MATERIAL:	Skyspan Australia Pty Ltd 1 Gibbon Rd, Baulkham Hills NSW 2153, Australia Website: https://www.skyspan.com.au	
BUSINESS NAME:	DRAWN BY: C.QUINOL	DATE DRAWN: 02-Aug-2023	THICKNESS (FOR SHEET):		
PROJECT NAME:	MODIFIED BY:	DATE MODIFIED:	FINISH/COLOR:	PART NUMBER: SB-2406-00	REVISION: A
QUOTE NUMBER/OPPORTUNITY NUMBER:	CHECKED BY:	CHECKED DATE:	ESTIMATED MASS: N/A	VOLUME: N/A	TRADITIONAL SKYLIGHT - AU TRIMDEK
WORK ORDER NUMBER:	APPROVED BY:	APPROVED DATE:	SIZE: A3	SCALE: DO NOT SCALE	
REFERENCE ORDER NUMBER:	<small>TOLERANCES UNLESS OTHERWISE SPECIFIED IN MM</small> <small>COPYRIGHT: THE DESIGN DETAILS SHOWN ON THIS DRAWING ARE SPECIFIC TO THIS PROJECT ONLY AND MAY NOT BE REPRODUCED IN WHOLE OR IN PART OR BE USED FOR ANY OTHER PROJECT OR PURPOSE WITHOUT THE WRITTEN CONSENT OF EVENT ENGINEERING PTY LTD. ©COPYRIGHT 2023 SKYSPAN</small>			FILENAME: SB-2406-00.iam	SHEET 1 OF 6

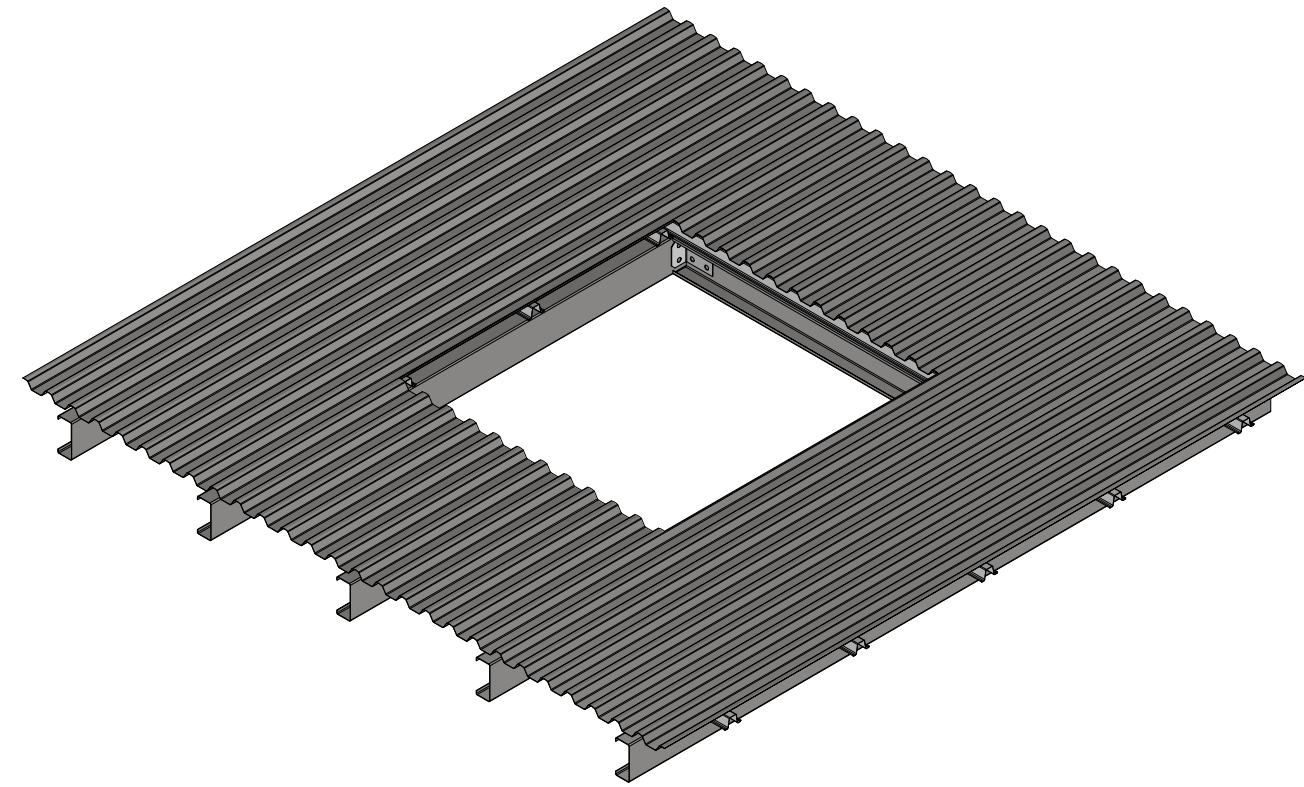
6 5 4 3 2 1

D

D



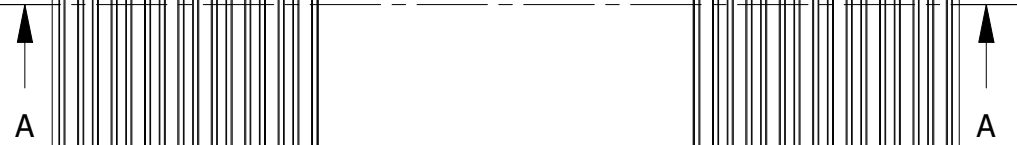
TOP VIEW
SCALE 1 : 25



ISOMETRIC VIEW
SCALE 1 : 25

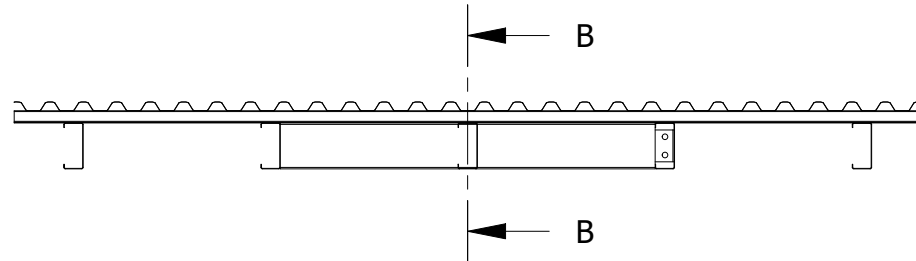
C

C



B

B



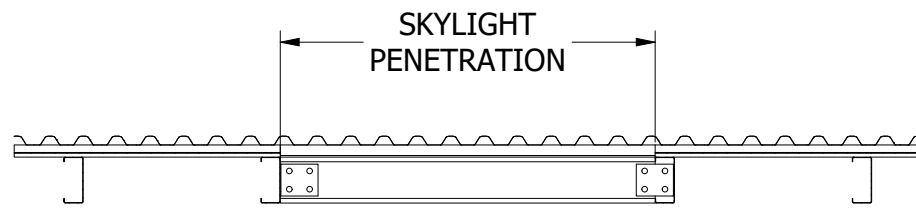
FRONT VIEW
SCALE 1 : 25



SECTION B-B
SCALE 1 : 25

A

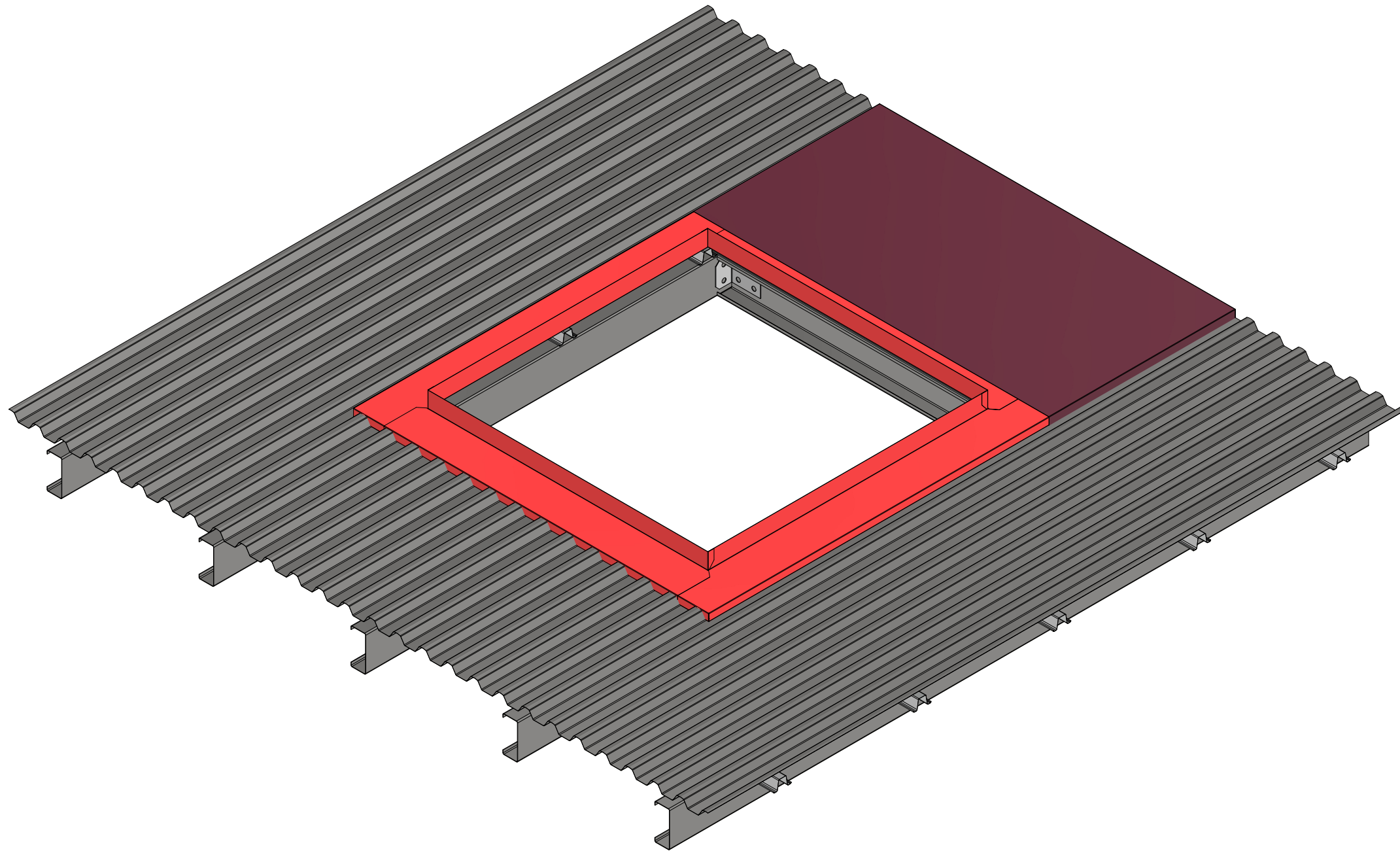
A




SECTION A-A
SCALE 1 : 25

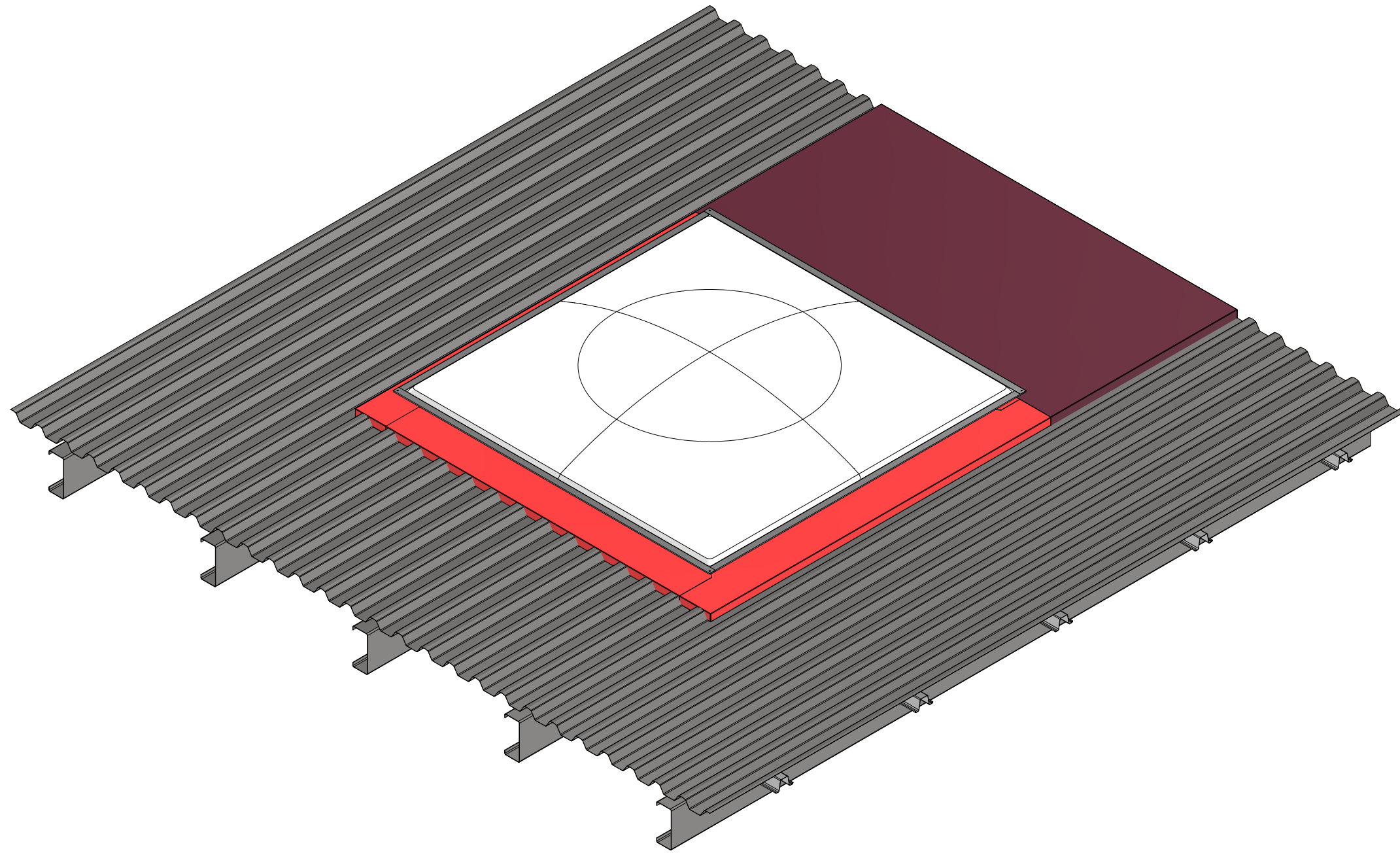
6 5 4 3 2 1

CLIENT:	DESIGNER: C.QUINOL	DATE CREATED: 01-Aug-2023	MATERIAL:	Skyspan Australia Pty Ltd 1 Gibbon Rd, Baulkham Hills NSW 2153, Australia Website: https://www.skyspan.com.au	
BUSINESS NAME:	DRAWN BY: C.QUINOL	DATE DRAWN: 02-Aug-2023	THICKNESS (FOR SHEET):		
PROJECT NAME:	MODIFIED BY:	DATE MODIFIED:	FINISH/COLOR:	PART NUMBER: SB-2406-00	REVISION A
QUOTE NUMBER/OPPORTUNITY NUMBER:	CHECKED BY:	CHECKED DATE:	ESTIMATED MASS: N/A	VOLUME: N/A	TITLE: TRADITIONAL SKYLIGHT - AU TRIMDEK
WORK ORDER NUMBER:	APPROVED BY:	APPROVED DATE:	SIZE A3	SCALE: DO NOT SCALE	FILENAME: SB-2406-00.iam
REFERENCE ORDER NUMBER:	<small>TOLERANCES UNLESS OTHERWISE SPECIFIED IN MM</small> <small>COPYRIGHT: THE DESIGN DETAILS SHOWN ON THIS DRAWING ARE SPECIFIC TO THIS PROJECT ONLY AND MAY NOT BE REPRODUCED IN WHOLE OR IN PART OR BE USED FOR ANY OTHER PROJECT OR PURPOSE WITHOUT THE WRITTEN CONSENT OF EVENT ENGINEERING PTY LTD. ©COPYRIGHT 2023 SKYSPAN</small>				SHEET 2 OF 6
JOB NUMBER:	FLASHING #:	FLASHING QTY:			




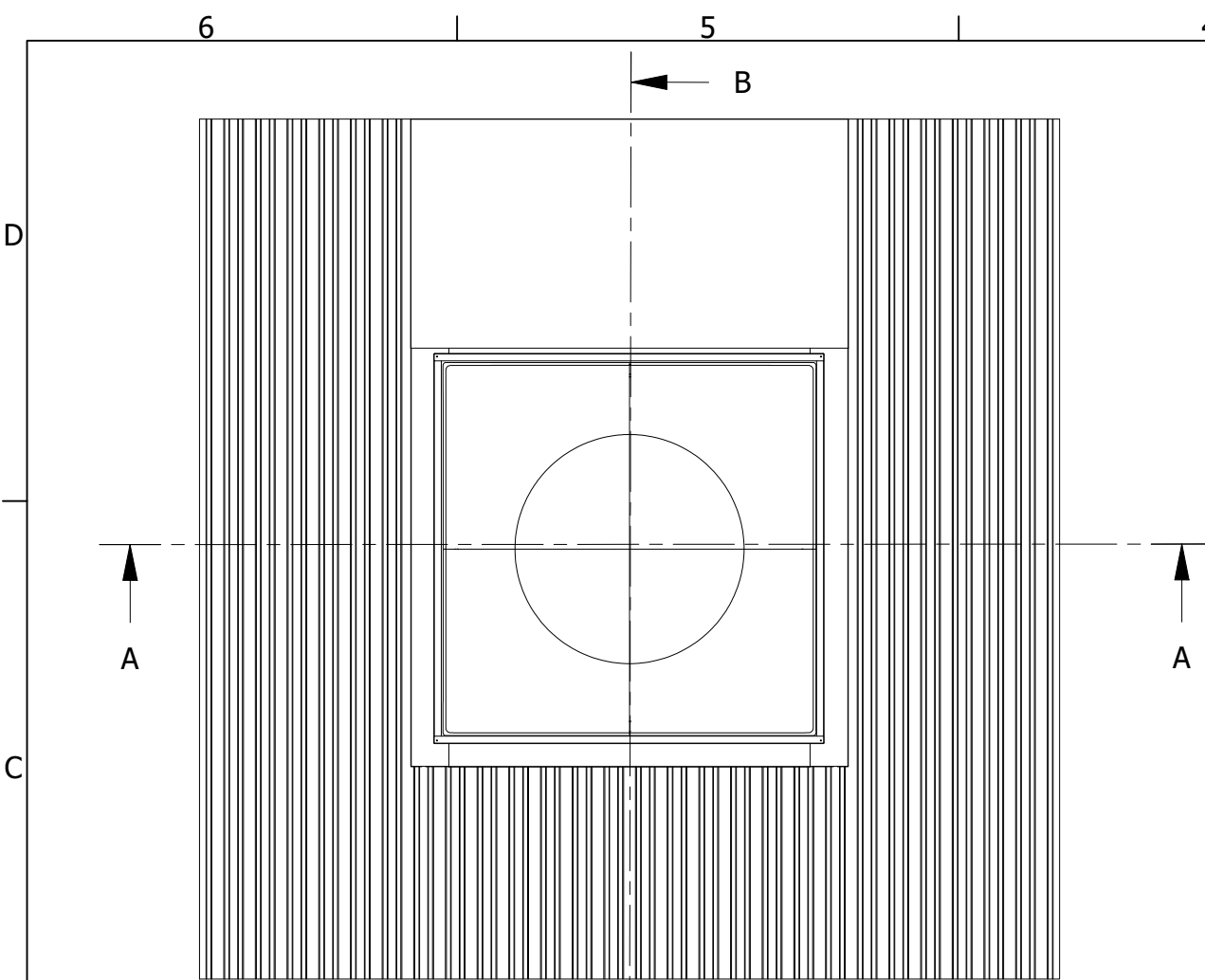
ISOMETRIC VIEW
SCALE 1 : 15

CLIENT:	DESIGNER: C.QUINOL	DATE CREATED: 01-Aug-2023	MATERIAL:	Skyspan Australia Pty Ltd 1 Gibbon Rd, Baulkham Hills NSW 2153, Australia Website: https://www.skyspan.com.au		
BUSINESS NAME:	DRAWN BY: C.QUINOL	DATE DRAWN: 02-Aug-2023	THICKNESS (FOR SHEET):	PART NUMBER: SB-2406-00		
PROJECT NAME:	MODIFIED BY:	DATE MODIFIED:	FINISH/COLOR:	TITLE: TRADITIONAL SKYLIGHT - AU TRIMDEK		
QUOTE NUMBER/OPPORTUNITY NUMBER:	CHECKED BY:	CHECKED DATE:	ESTIMATED MASS: N/A	VOLUME: N/A	SCALE: DO NOT SCALE	
WORK ORDER NUMBER:	APPROVED BY:	APPROVED DATE:	SIZE A3		FILENAME: SB-2406-00.iam	
REFERENCE ORDER NUMBER:	TOLERANCES UNLESS OTHERWISE SPECIFIED IN MM		THIRD ANGLE PROJECTION		SHEET 3 OF 6	
JOB NUMBER:	FLASHING #:	COPYRIGHT: THE DESIGN DETAILS SHOWN ON THIS DRAWING ARE SPECIFIC TO THIS PROJECT ONLY AND MAY NOT BE REPRODUCED IN WHOLE OR IN PART OR BE USED FOR ANY OTHER PROJECT OR PURPOSE WITHOUT THE WRITTEN CONSENT OF EVENT ENGINEERING PTY LTD. ©COPYRIGHT 2023 SKYSPAN				
	FLASHING QTY:					

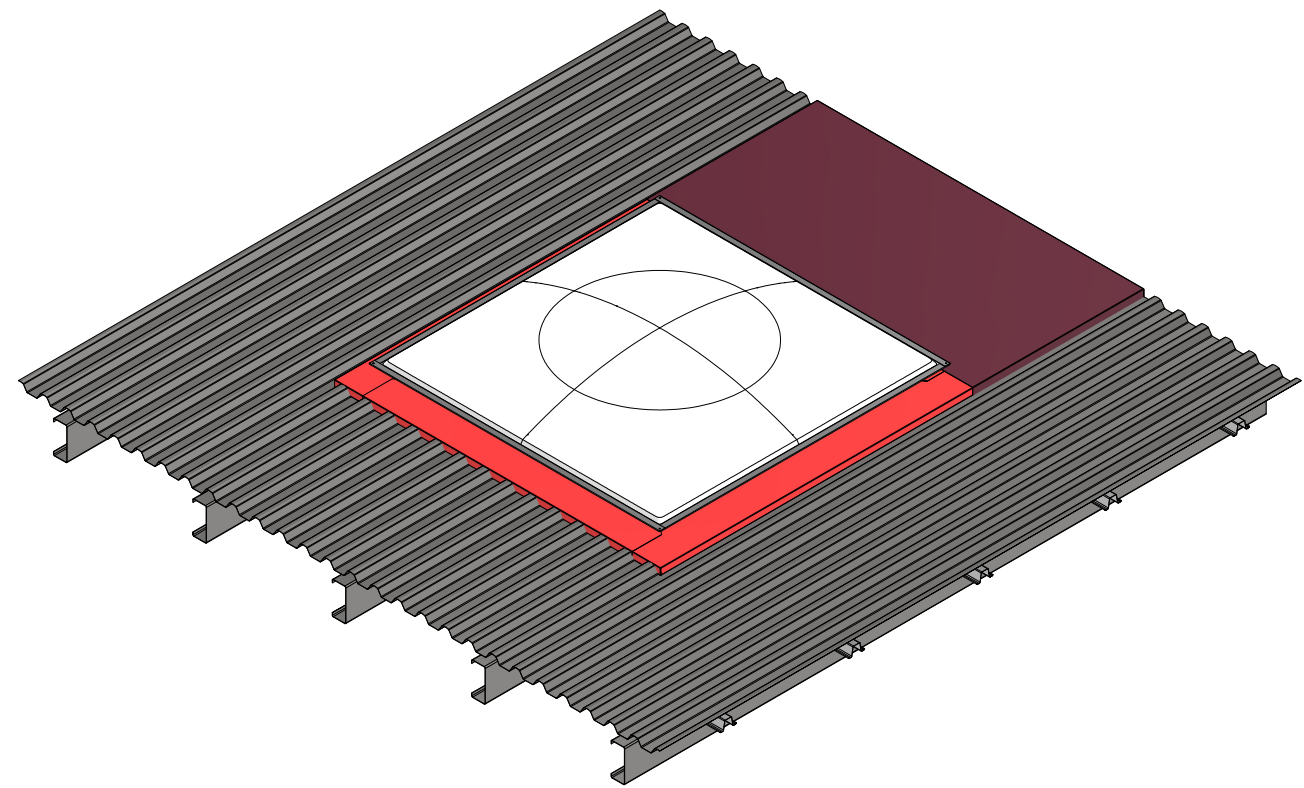


ISOMETRIC VIEW
SCALE 1 : 15

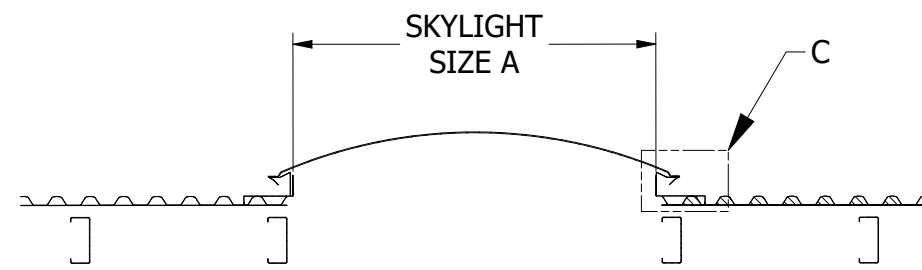
CLIENT:	DESIGNER: C.QUINOL	DATE CREATED: 01-Aug-2023	MATERIAL:	Skyspan Australia Pty Ltd 1 Gibbon Rd, Baulkham Hills NSW 2153, Australia Website: https://www.skyspan.com.au		
BUSINESS NAME:	DRAWN BY: C.QUINOL	DATE DRAWN: 02-Aug-2023	THICKNESS (FOR SHEET):	PART NUMBER: SB-2406-00		
PROJECT NAME:	MODIFIED BY:	DATE MODIFIED:	FINISH/COLOR:	ESTIMATED MASS: N/A		VOLUME: N/A
QUOTE NUMBER/OPPORTUNITY NUMBER:	CHECKED BY:	CHECKED DATE:	TOLERANCES UNLESS OTHERWISE SPECIFIED IN MM		SIZE A3	
WORK ORDER NUMBER:	APPROVED BY:	APPROVED DATE:	COPYRIGHT: THE DESIGN DETAILS SHOWN ON THIS DRAWING ARE SPECIFIC TO THIS PROJECT ONLY AND MAY NOT BE REPRODUCED IN WHOLE OR IN PART OR BE USED FOR ANY OTHER PROJECT OR PURPOSE WITHOUT THE WRITTEN CONSENT OF EVENT ENGINEERING PTY LTD. ©COPYRIGHT 2023 SKYSPAN		TITLE: TRADITIONAL SKYLIGHT - AU TRIMDEK	
REFERENCE ORDER NUMBER:	FLASHING #:	FLASHING QTY:	THIRD ANGLE PROJECTION		SCALE: DO NOT SCALE	
JOB NUMBER:	FILENAME: SB-2406-00.iam		SHEET 4 OF 6			



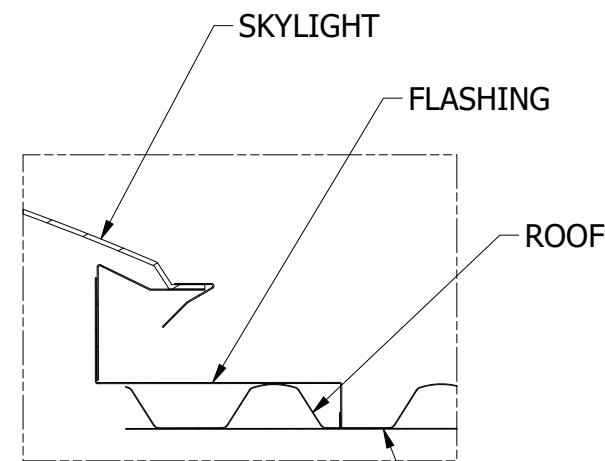
TOP VIEW
SCALE 1 : 25



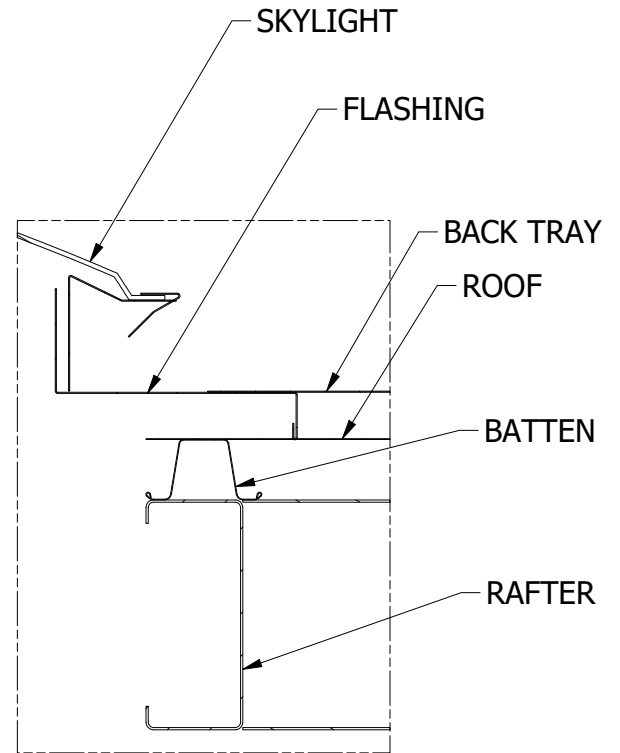
ISOMETRIC VIEW
SCALE 1 : 25



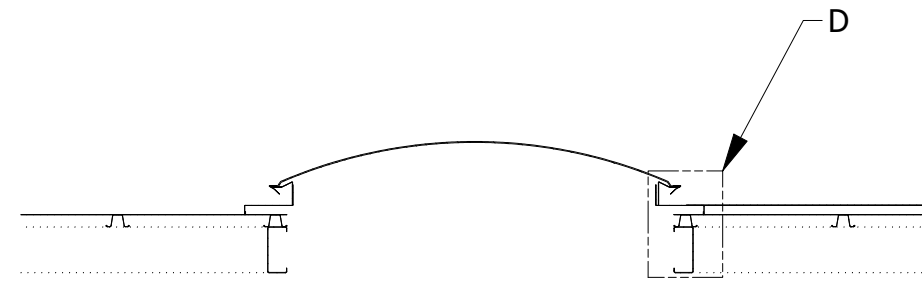
SECTION A-A
SCALE 1 : 25



DETAIL C
SCALE 1 : 5

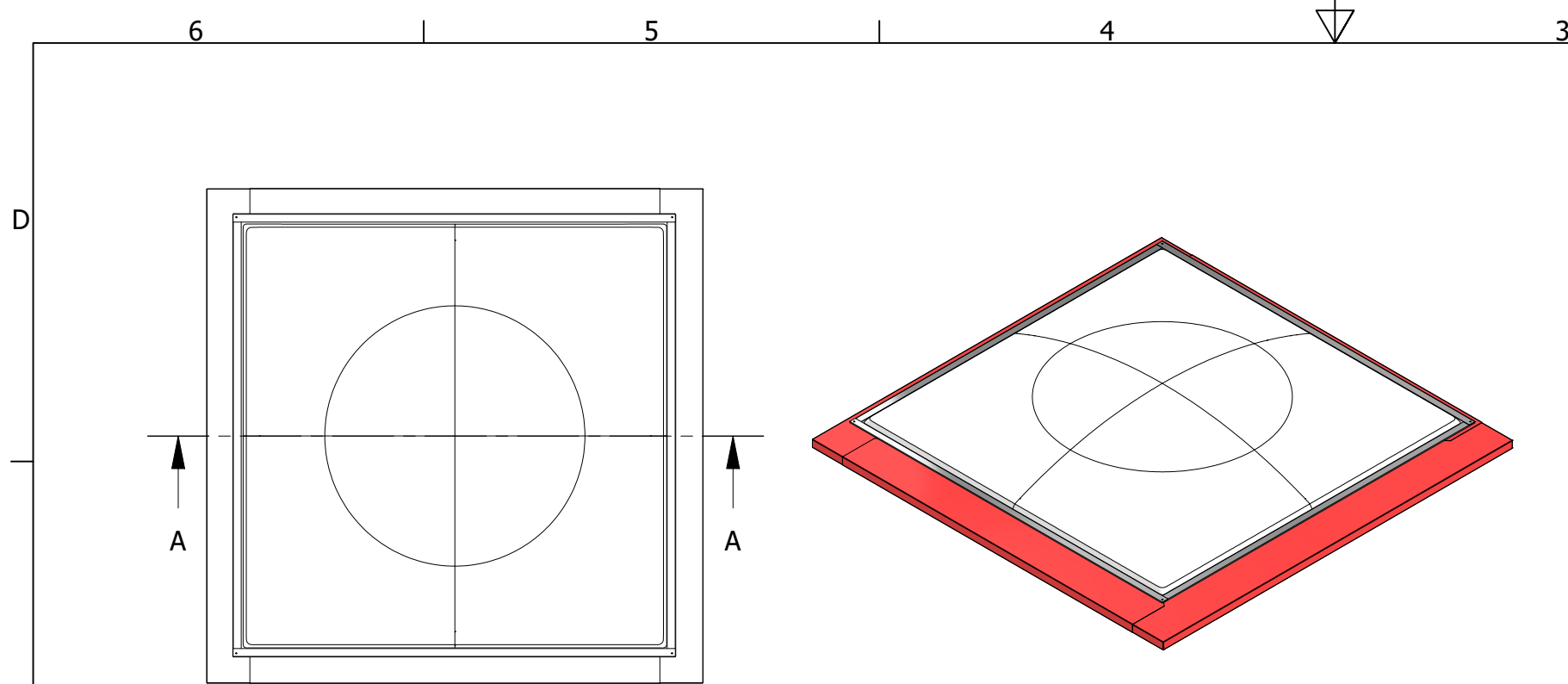


DETAIL D
SCALE 1 : 5



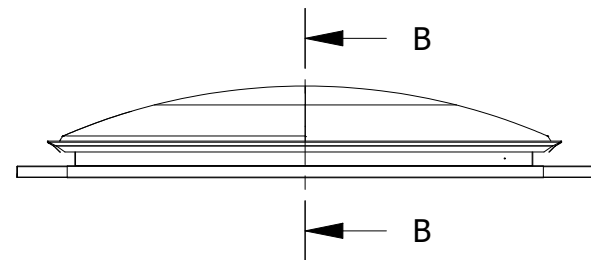
SECTION B-B
SCALE 1 : 25

CLIENT:	DESIGNER: C.QUINOL	DATE CREATED: 01-Aug-2023	MATERIAL:	Skyspan Australia Pty Ltd 1 Gibbon Rd, Baulkham Hills NSW 2153, Australia Website: https://www.skyspan.com.au	
BUSINESS NAME:	DRAWN BY: C.QUINOL	DATE DRAWN: 02-Aug-2023	THICKNESS (FOR SHEET):		
PROJECT NAME:	MODIFIED BY:	DATE MODIFIED:	FINISH/COLOR:	PART NUMBER: SB-2406-00	REVISION A
QUOTE NUMBER/OPPORTUNITY NUMBER:	CHECKED BY:	CHECKED DATE:	ESTIMATED MASS: N/A	VOLUME: N/A	
WORK ORDER NUMBER:	APPROVED BY:	APPROVED DATE:	SIZE A3	TITLE: TRADITIONAL SKYLIGHT - AU TRIMDEK	
REFERENCE ORDER NUMBER:	TOLERANCES UNLESS OTHERWISE SPECIFIED IN MM			SCALE: DO NOT SCALE	FILENAME: SB-2406-00.iam
JOB NUMBER:	FLASHING #:	COPYRIGHT: THE DESIGN DETAILS SHOWN ON THIS DRAWING ARE SPECIFIC TO THIS PROJECT ONLY AND MAY NOT BE REPRODUCED IN WHOLE OR IN PART OR BE USED FOR ANY OTHER PROJECT OR PURPOSE WITHOUT THE WRITTEN CONSENT OF EVENT ENGINEERING PTY LTD. ©COPYRIGHT 2023 SKYSPAN			SHEET 5 OF 6
	FLASHING QTY:				

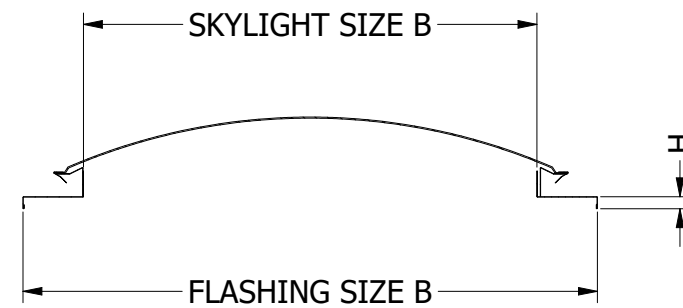


TOP VIEW
SCALE 1 : 20

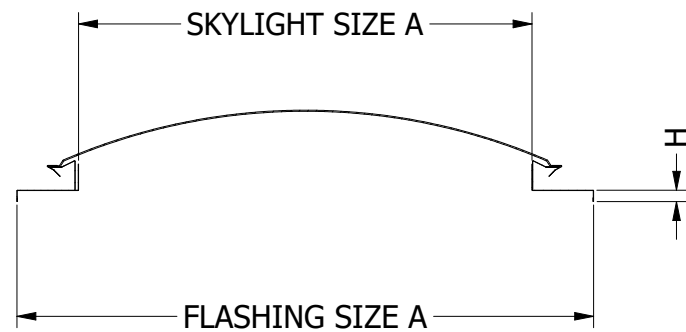
ISOMETRIC VIEW
SCALE 1 : 20



FRONT VIEW
SCALE 1 : 20




SECTION B-B
SCALE 1 : 20



SECTION A-A
SCALE 1 : 20

PRODUCT CODES AND SIZES					
PRODUCT CODE	SKYLIGHT SIZE A (mm)	SKYLIGHT SIZE B (mm)	FLASHING SIZE A (mm)	FLASHING SIZE B (mm)	HEIGHT (mm)
SL400AU	400	400	720	720	30
SL4060AU	400	600	720	920	30
SL4080AU	400	800	720	1120	30
SL40110AU	400	1100	720	1420	30
SL500AU	500	500	820	820	30
SL5070AU	500	700	820	1020	30
SL5080AU	500	800	820	1120	30
SL50110AU	500	1100	820	1420	30
SL50140AU	500	1400	820	1720	30
SL600AU	600	600	920	920	30
SL6090AU	600	900	920	1220	30
SL60120AU	600	1200	920	1520	30
SL650AU	650	650	970	970	30
SL65110AU	650	1100	970	1420	30
SL800AU	800	800	1120	1120	30
SL80110AU	800	1100	1120	1420	30
SL80140AU	800	1400	1120	1720	30
SL900AU	900	900	1220	1220	30
SL90120AU	900	1200	1220	1520	30
SL90150AU	900	1500	1220	1820	30
SL1000AU	1000	1000	1320	1320	30
SL1100AU	1100	1100	1420	1420	30
SL1200AU	1200	1200	1520	1520	30
SL1500AU	1500	1500	1820	1820	30
SL1800AU	1800	1800	2120	2120	30

CLIENT:	DESIGNER: C.QUINOL	DATE CREATED: 01-Aug-2023	MATERIAL:	Skyspan Australia Pty Ltd 1 Gibbon Rd, Baulkham Hills NSW 2153, Australia Website: https://www.skyspan.com.au	
BUSINESS NAME:	DRAWN BY: C.QUINOL	DATE DRAWN: 02-Aug-2023	THICKNESS (FOR SHEET):		
PROJECT NAME:	MODIFIED BY:	DATE MODIFIED:	FINISH/COLOR:	PART NUMBER: SB-2406-00	REVISION: A
QUOTE NUMBER/OPPORTUNITY NUMBER:	CHECKED BY:	CHECKED DATE:	ESTIMATED MASS: N/A	VOLUME: N/A	
WORK ORDER NUMBER:	APPROVED BY:	APPROVED DATE:	SIZE A3	TITLE: TRADITIONAL SKYLIGHT - AU TRIMDEK	
REFERENCE ORDER NUMBER:	TOLERANCES UNLESS OTHERWISE SPECIFIED IN MM			SCALE: DO NOT SCALE	FILENAME: SB-2406-00.iam
JOB NUMBER:	FLASHING #:	COPYRIGHT: THE DESIGN DETAILS SHOWN ON THIS DRAWING ARE SPECIFIC TO THIS PROJECT ONLY AND MAY NOT BE REPRODUCED IN WHOLE OR IN PART OR BE USED FOR ANY OTHER PROJECT OR PURPOSE WITHOUT THE WRITTEN CONSENT OF EVENT ENGINEERING PTY LTD. ©COPYRIGHT 2023 SKYSPAN			SHEET 6 OF 6
FLASHING QTY:					