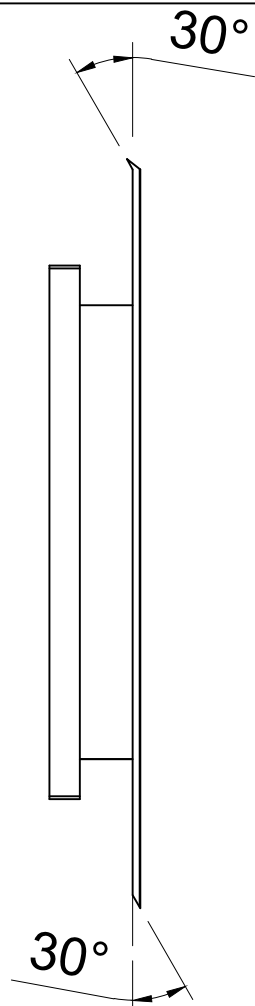
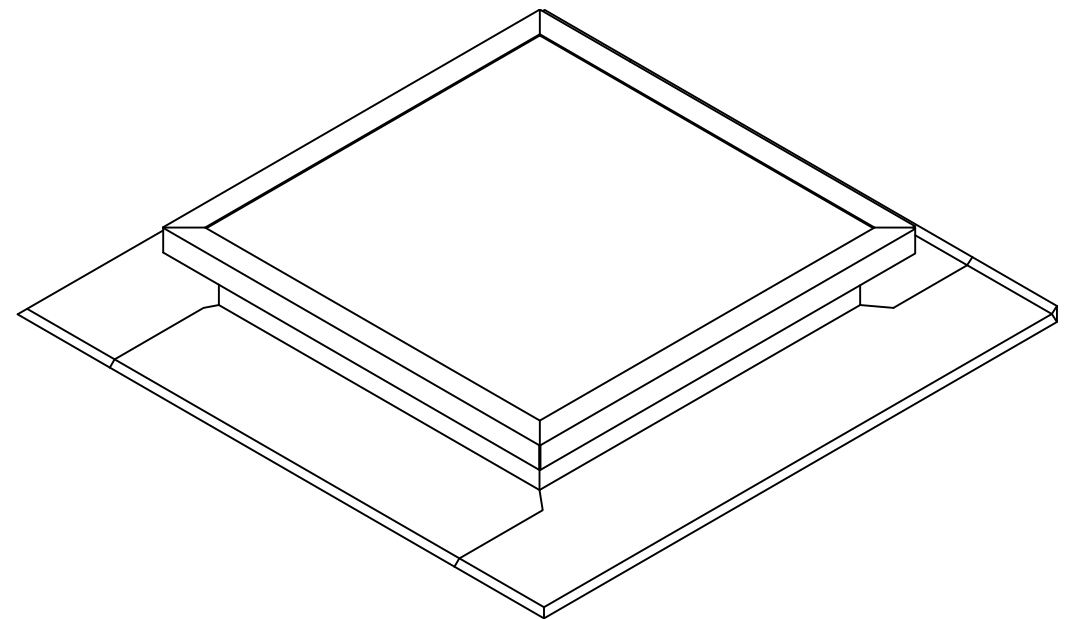


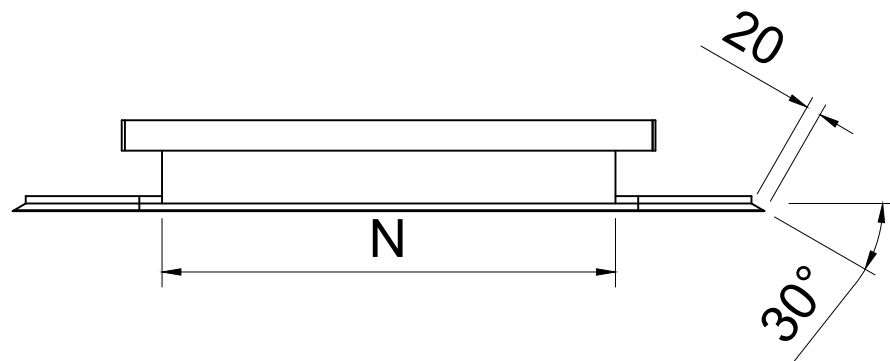
TOP VIEW



SIDE VIEW



ISOMETRIC VIEW



FRONT VIEW

SKYWINDOW FIXED SINGLE GLAZED - CORRUGATED (SQUARE)			
PRODUCT CODE	A (mm)	B (mm)	N (mm)
GSL400CT-SG	760	760	400 x 400
GSL500CT-SG	860	860	500 x 500
GSL600CT-SG	960	960	600 x 600
GSL800CT-SG	1160	1160	800 x 800
GSL900CT-SG	1260	1260	900 x 900
GSL1000CT-SG	1360	1360	1000 x 1000
GSL1100CT-SG	1460	1460	1100 x 1100
GSL1200CT-SG	1560	1560	1200 x 1200

SKYWINDOW FIXED SINGLE GLAZED - CORRUGATED (RECTANGULAR)			
PRODUCT CODE	A (mm)	B (mm)	N (mm)
GSL4060CT-SG	760	960	400 x 600
GSL4080CT-SG	760	1160	400 x 800
GSL40110CT-SG	760	1460	400 x 1100
GSL5070CT-SG	860	1060	500 x 700
GSL50110CT-SG	860	1460	500 x 1100
GSL50140CT-SG	860	1760	500 x 1400
GSL6090CT-SG	960	1260	600 x 900
GSL60120CT-SG	960	1560	600 x 1200
GSL80110CT-SG	1160	1460	800 x 1100
GSL80140CT-SG	1160	1760	800 x 1400

LEGEND:
 A= WIDTH
 B= LENGTH
 N= NOMINAL SIZE

DO NOT SCALE DRAWINGS, USE FIGURED DIMENSIONS



12 Turbo Road,
 Kings Park,
 NSW 2148
 © 2019 SkySpan
 All Rights Reserved.

COPYRIGHT: THE DESIGN AND DETAILS SHOWN ON THIS DRAWING ARE SPECIFIC TO THIS PROJECT ONLY AND MAY NOT BE REPRODUCED IN WHOLE OR IN PART OR BE USED FOR ANY OTHER PROJECT OR PURPOSE WITHOUT THE WRITTEN CONSENT OF SKYSPAN AUSTRALIA PTY LTD.

Rev.	Issue / Amendment	By	App. Date
P1	ONLINE OVERVIEW	KC	22/03/19

Client

Project
 ONLINE PRODUCT OVERVIEW

Title
 SKYWINDOWS FIXED SINGLE GLAZED - CORRUGATED

Designed RLF	
Scale at A3	Date 22/03/19
Job No.	Drawing No. GSL_CT-SG
Drawn KC	
Amdt. P1	