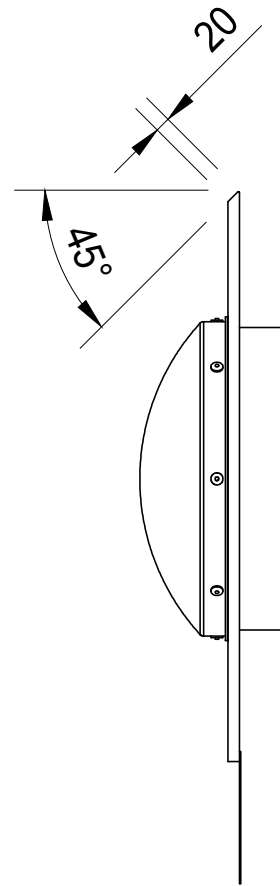
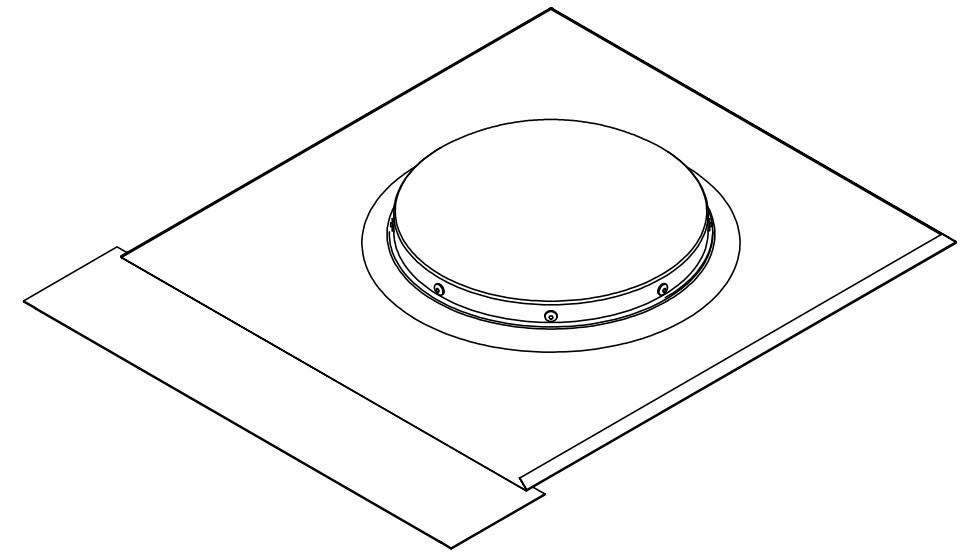


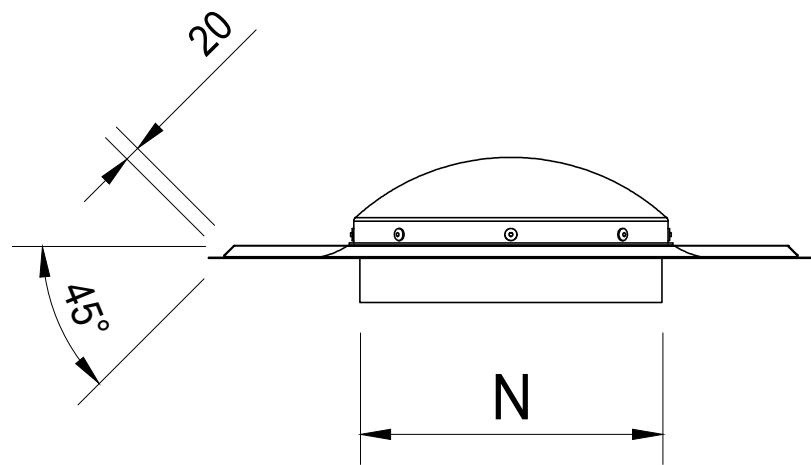
TOP VIEW



SIDE VIEW



ISOMETRIC VIEW



FRONT VIEW

**LEGEND:**  
 A= WIDTH  
 B= LENGTH  
 N= NOMINAL SIZE

SUNPIPE TUBELIGHT - TILE				
SKYSPAN PRODUCT CODE	A (mm)	B (mm)	NØ (mm)	VENTING SYSTEM
TL300TUFSK	610	815	300	NO
TL400TUFSK	710	915	400	NO
TL500TUFSK	810	995	500	NO

DO NOT SCALE DRAWINGS, USE FIGURED DIMENSIONS



12 Turbo Road,  
 Kings Park,  
 NSW 2148  
 © 2019 SkySpan  
 All Rights Reserved.

COPYRIGHT: THE DESIGN AND DETAILS SHOWN ON THIS DRAWING ARE SPECIFIC TO THIS PROJECT ONLY AND MAY NOT BE REPRODUCED IN WHOLE OR IN PART OR BE USED FOR ANY OTHER PROJECT OR PURPOSE WITHOUT THE WRITTEN CONSENT OF SKYSPAN AUSTRALIA PTY LTD.

Rev.	Issue / Amendment	By	App. Date
P1	ONLINE OVERVIEW	KC	19/03/19

Client

Project  
 ONLINE PRODUCT OVERVIEW

Title  
 SUNPIPE TUBELIGHT - TILE

		Designed RLF
Scale at A3	Date 19/03/19	Drawn KC
Job No.	Drawing No. TL-TU	Amdt. P1