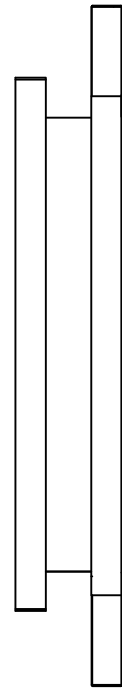
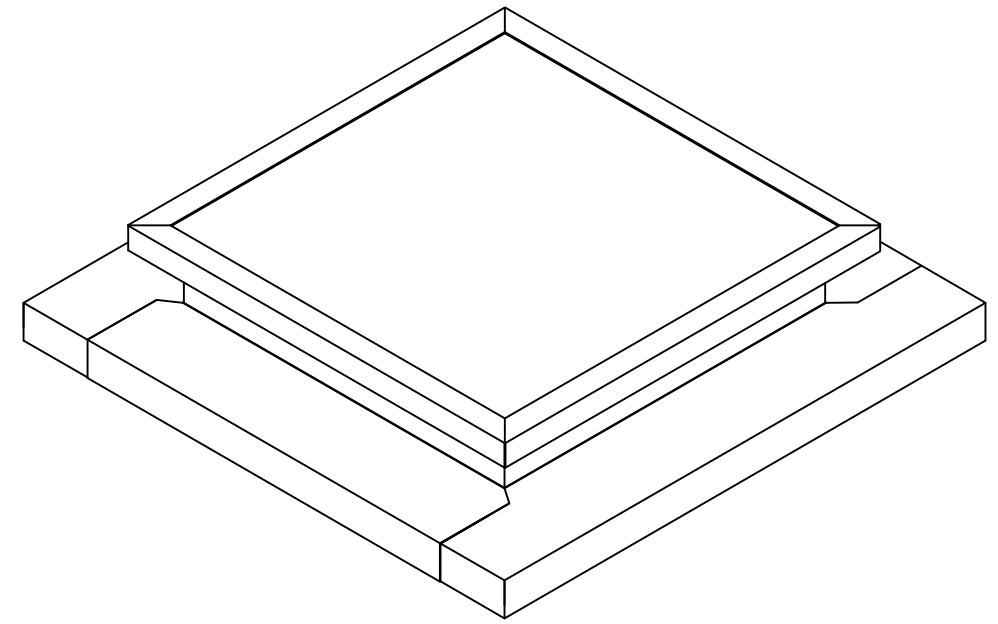


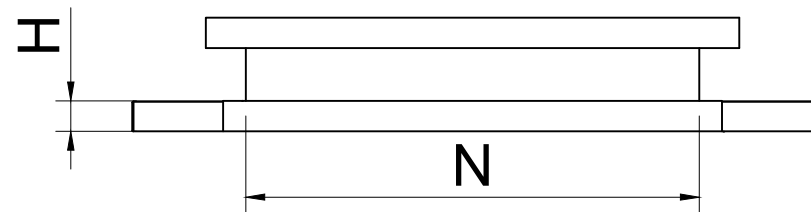
TOP VIEW



LEFT VIEW



ISOMETRIC VIEW



FRONT VIEW

LEGEND:
 A = WIDTH
 B = LENGTH
 H = HEIGHT
 N = NOMINAL SIZE

SKYWINDOW FIXED SINGLE GLAZED -KLIPOK (SQUARE)				
PRODUCT CODE	A (mm)	B (mm)	H (mm)	N (mm)
GSL400AU-SG	700	700	40	400 x 400
GSL500AU-SG	800	800	40	500 x 500
GSL600AU-SG	900	900	40	600 x 600
GSL800AU-SG	1100	1100	40	800 x 800
GSL900AU-SG	1200	1200	40	900 x 900
GSL1000AU-SG	1300	1300	40	1000 x 1000
GSL1100AU-SG	1400	1400	40	1100 x 1100
GSL1200AU-SG	1500	1500	40	1200 x 1200

SKYWINDOW FIXED SINGLE GLAZED - KLIPOK (RECTANGULAR)				
PRODUCT CODE	A (mm)	B (mm)	H (mm)	N (mm)
GSL4080AU-SG	700	900	40	400 x 600
GSL4060AU-SG	700	1100	40	400 x 800
GSL40110AU-SG	700	1400	40	400 x 1100
GSL5070AU-SG	800	1000	40	500 x 700
GSL50110AU-SG	800	1400	40	500 x 1100
GSL50140AU-SG	800	1700	40	500 x 1400
GSL6090AU-SG	900	1200	40	600 x 900
GSL60120AU-SG	900	1500	40	600 x 1200
GSL80110AU-SG	1100	1400	40	800 x 1100
GSL80140AU-SG	1100	1700	40	800 x 1400

DO NOT SCALE DRAWINGS, USE FIGURED DIMENSIONS



12 Turbo Road,
Kings Park,
NSW 2148
© 2019 SkySpan
All Rights Reserved.

COPYRIGHT: THE DESIGN AND DETAILS SHOWN ON THIS DRAWING ARE SPECIFIC TO THIS PROJECT ONLY AND MAY NOT BE REPRODUCED IN WHOLE OR IN PART OR BE USED FOR ANY OTHER PROJECT OR PURPOSE WITHOUT THE WRITTEN CONSENT OF SKYSPAN AUSTRALIA PTY LTD.

Rev.	Issue / Amendment	By	App. Date
P1	ONLINE OVERVIEW	KC	22/03/19

Client

Project
ONLINE PRODUCT OVERVIEW

Title
SKYWINDOW FIXED SINGLE GLAZED - KLIPOK

Designed RLF	
Scale at A3	Date 22/03/19
Job No.	Drawn KC
Drawing No. GSL-AU_K-SG	Amdt. P1