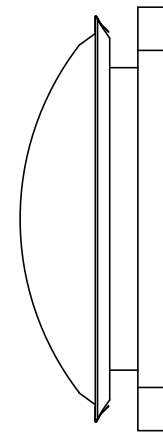
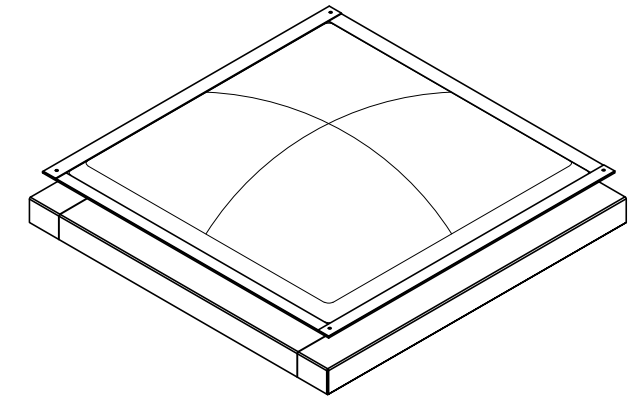


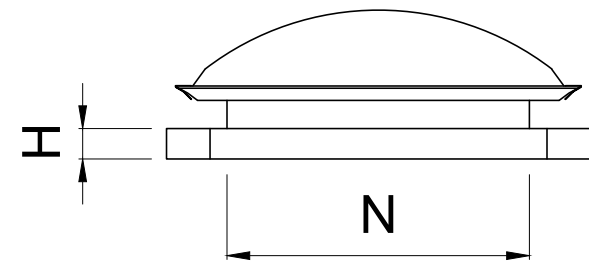
TOP VIEW



LEFT VIEW



ISOMETRIC VIEW



FRONT VIEW

**LEGEND:**  
 A = WIDTH  
 B = LENGTH  
 H = HEIGHT  
 N = NOMINAL SIZE

TRADITIONAL SKYLIGHT METALDECK- STD (SQUARE)				
PRODUCT CODE	A (mm)	B (mm)	H (mm)	N (mm)
SL(V)400AU	560	560	40	400 x 400
SL(V)500AU	660	660	40	500 x 500
SL(V)600AU	760	760	40	600 x 600
SL(V)650AU	810	810	40	650 x 650
SL(V)800AU	960	960	40	800 x 800
SL(V)900AU	1060	1060	40	900 x 900
SL(V)1000AU	1160	1160	40	1000 x 1000
SL(V)1100AU	1260	1260	40	1100 x 1100
SL(V)1200AU	1360	1360	40	1200 x 1200
SL(V)1500AU	1660	1660	40	1500 x 1500
SL(V)1800AU	1960	1960	40	1800 x 1800

TRADITIONAL SKYLIGHT METALDECK - STD (RECTANGULAR)				
PRODUCT CODE	A (mm)	B (mm)	H (mm)	N (mm)
SL(V)4060AU	560	760	40	400 x 600
SL(V)4080AU	560	960	40	400 x 800
SL(V)40110AU	560	1260	40	400 x 1100
SL(V)5070AU	660	860	40	500 x 700
SL(V)5080AU	660	960	40	500 x 800
SL(V)50110AU	660	1260	40	500 x 1100
SL(V)50140AU	660	1560	40	500 x 1400
SL(V)6090AU	760	1060	40	600 x 900
SL(V)60120AU	760	1360	40	600 x 1200
SL(V)65110AU	810	1260	40	650 x 1100
SL(V)80110AU	960	1260	40	800 x 1100
SL(V)80140AU	960	1560	40	800 x 1400
SL(V)90120AU	1060	1360	40	900 x 1200
SL(V)90150AU	1060	1660	40	900 x 1500

DO NOT SCALE DRAWINGS, USE FIGURED DIMENSIONS



12 Turbo Road,  
Kings Park,  
NSW 2148  
© 2019 SkySpan  
All Rights Reserved.

COPYRIGHT: THE DESIGN AND DETAILS SHOWN ON THIS DRAWING ARE SPECIFIC TO THIS PROJECT ONLY AND MAY NOT BE REPRODUCED IN WHOLE OR IN PART OR BE USED FOR ANY OTHER PROJECT OR PURPOSE WITHOUT THE WRITTEN CONSENT OF SKYSPAN AUSTRALIA PTY LTD.

Rev.	Issue / Amendment	By	App. Date
P1	ONLINE OVERVIEW	KC	21/03/19

Client

Project  
ONLINE PRODUCT OVERVIEW

Title  
TRADITIONAL SKYLIGHT METALDECK -STD

Designed		
Scale at A3	Date	Drawn
/	21/03/19	KC
Job No.	Drawing No.	Amdt.
0001	SL- AU_STD	P1