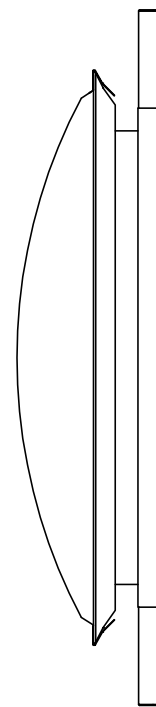
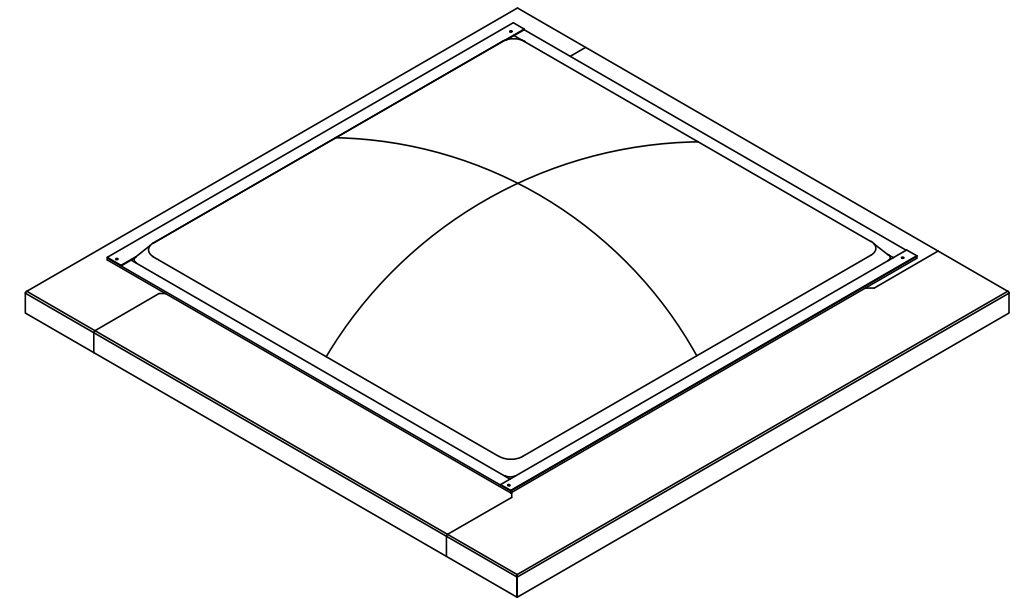


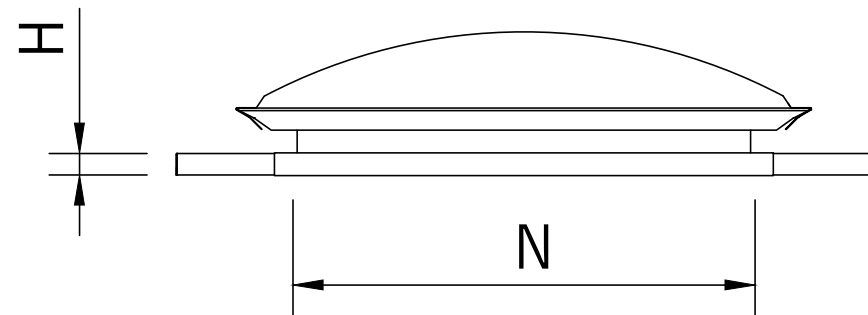
TOP VIEW



LEFT VIEW



ISOMETRIC VIEW



FRONT VIEW

LEGEND:

A= WIDTH
 B= LENGTH
 N= NOMINAL SIZE

TRADITIONAL SKYLIGHT - TRIMDEK (SQUARE)

PRODUCT CODE	A (mm)	B (mm)	H (mm)	N (mm)
SL(V)400AU	720	720	30	400x400
SL(V)500AU	820	820	30	500x500
SL(V)600AU	920	920	30	600x600
SL(V)800AU	1120	1120	30	800x800
SL(V)900AU	1220	1220	30	900x900
SL(V)1000AU	1320	1320	30	1000x1000
SL(V)1100AU	1420	1420	30	1100x1100
SL(V)1200AU	1520	1520	30	1200x1200

TRADITIONAL SKYLIGHT- TRIMDEK (RECTANGULAR)

PRODUCT CODE	A (mm)	B (mm)	H (mm)	N (mm)
SL(V)4080AU	720	1120	30	400x800
SL(V)5070AU	820	1020	30	500x700
SL(V)50110AU	820	1420	30	500x1100
SL(V)4060AU	720	920	30	400x600
SL(V)40110AU	720	1420	30	400x1100
SL(V)6090AU	920	1220	30	600x900
SL(V)60120AU	920	1520	30	600x1200
SL(V)80110AU	1120	1420	30	800x1100

DO NOT SCALE DRAWINGS, USE FIGURED DIMENSIONS



12 Turbo Road,
 Kings Park,
 NSW 2148
 © 2019 SkySpan
 All Rights Reserved.

COPYRIGHT: THE DESIGN AND DETAILS SHOWN ON THIS DRAWING ARE SPECIFIC TO THIS PROJECT ONLY AND MAY NOT BE REPRODUCED IN WHOLE OR IN PART OR BE USED FOR ANY OTHER PROJECT OR PURPOSE WITHOUT THE WRITTEN CONSENT OF SKYSPAN AUSTRALIA PTY LTD.

Rev.	Issue / Amendment	By	App. Date
P1	ONLINE OVERVIEW	KC	21/03/19

Client

Project
 ONLINE PRODUCT OVERVIEW

Title
 TRADITIONAL SKYLIGHT METALDECK - TRIMDEK

Designed RLF	
Scale at A3	Date 21/03/19
Job No.	Drawing No. SL-AU-TRIMDEK
Drawn KC	
Amdt. P1	