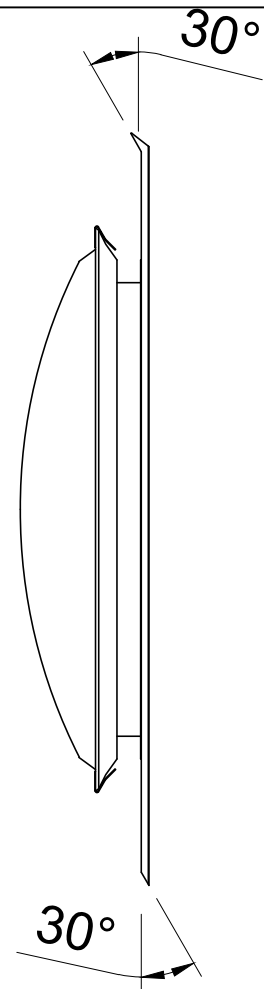
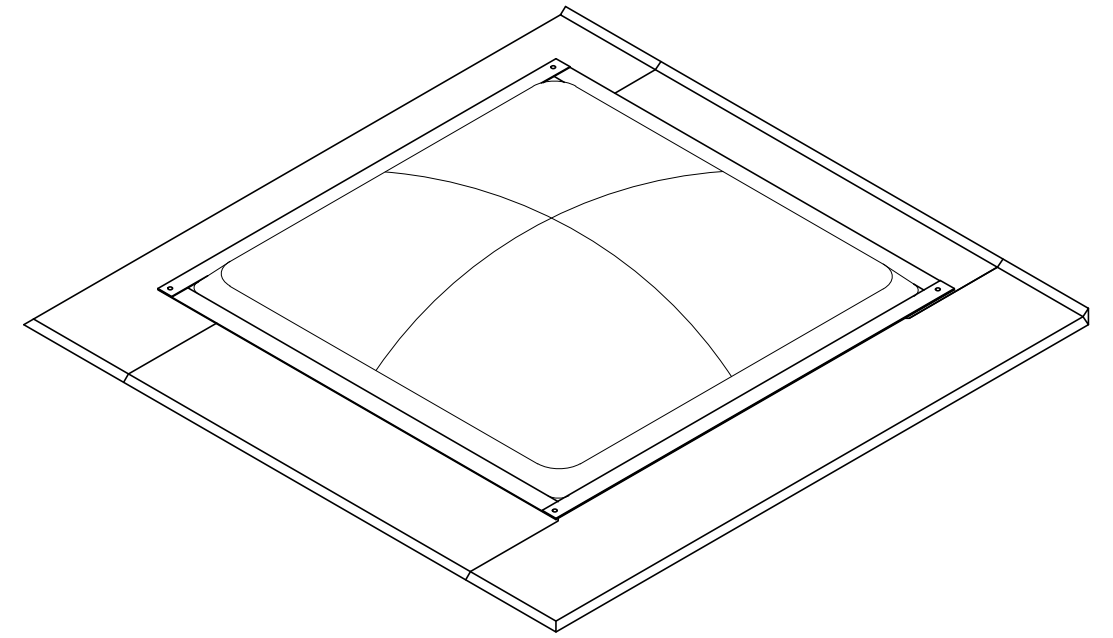


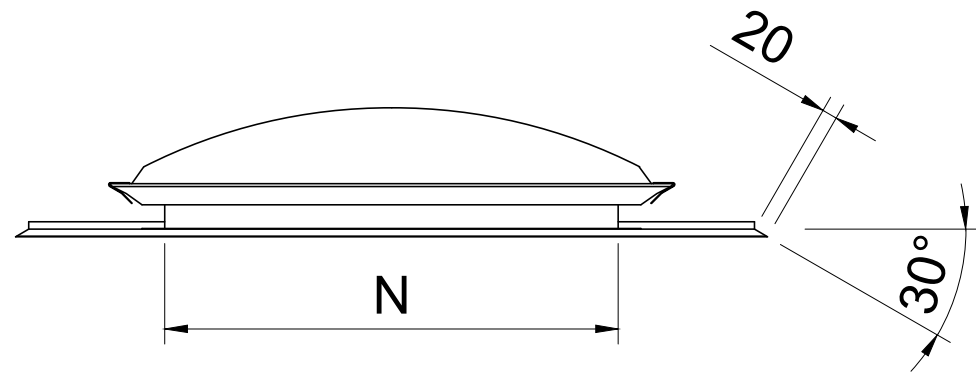
TOP VIEW



LEFT VIEW



ISOMETRIC VIEW



FRONT VIEW

**LEGEND:**  
**A = WIDTH**  
**B = LENGTH**  
**H = HEIGHT**  
**N = NOMINAL SIZE**

TRADITIONAL SKYLIGHT - CORRUGATED (SQUARE)			
PRODUCT CODE	A (mm)	B (mm)	N (mm)
SL(V)400CT	760	760	400x400
SL(V)500CT	860	860	500x500
SL(V)600CT	960	960	600x600
SL(V)650CT	1010	1010	650x650
SL(V)800CT	1160	1160	800x800
SL(V)900CT	1260	1260	900x900
SL(V)1000CT	1360	1360	1000x1000
SL(V)1100CT	1460	1460	1100x1100
SL(V)1200CT	1560	1560	1200x1200
SL(V)1500CT	1860	1860	1500x1500
SL(V)1800CT	2160	2160	1800x1800

TRADITIONAL SKYLIGHT - CORRUGATED (RECTANGULAR)			
PRODUCT CODE	A (mm)	B (mm)	N (mm)
SL(V)4060CT	760	960	400x600
SL(V)4080CT	760	1160	400x800
SL(V)40110CT	760	1460	400x1100
SL(V)5070CT	860	1060	500x700
SL(V)5080CT	860	1160	500x800
SL(V)50140CT	860	1760	500x1400
SL(V)6090CT	960	1260	600x900
SL(V)60120CT	960	1560	600x1200
SL(V)65110CT	1010	1460	650x1100
SL(V)80110CT	1160	1460	800x1100
SL(V)80140CT	1160	1760	800x1400
SL(V)90120CT	1260	1560	900x1200
SL(V)90150CT	1260	1860	900x1500

DO NOT SCALE DRAWINGS, USE FIGURED DIMENSIONS



12 Turbo Road,  
Kings Park,  
NSW 2148  
© 2019 SkySpan  
All Rights Reserved.

COPYRIGHT: THE DESIGN AND DETAILS SHOWN ON THIS DRAWING ARE SPECIFIC TO THIS PROJECT ONLY AND MAY NOT BE REPRODUCED IN WHOLE OR IN PART OR BE USED FOR ANY OTHER PROJECT OR PURPOSE WITHOUT THE WRITTEN CONSENT OF SKYSPAN AUSTRALIA PTY LTD.

Rev.	Issue / Amendment	By	App. Date
P1	ONLINE OVERVIEW	KC	21/03/19

Client

Project  
ONLINE PRODUCT OVERVIEW

Title  
TRADITIONAL SKYLIGHT - CORRUGATED

Designed RLF	
Scale at A3	Date 21/03/19
Job No.	Drawing No. SL-CT
Amdt. P1	

Designed

RLF

Drawn

KC

Amdt.

P1