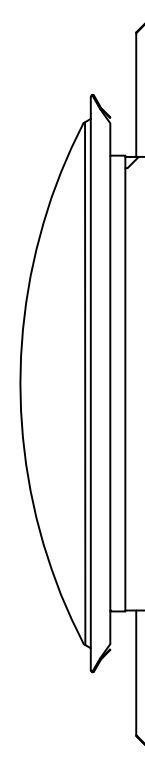
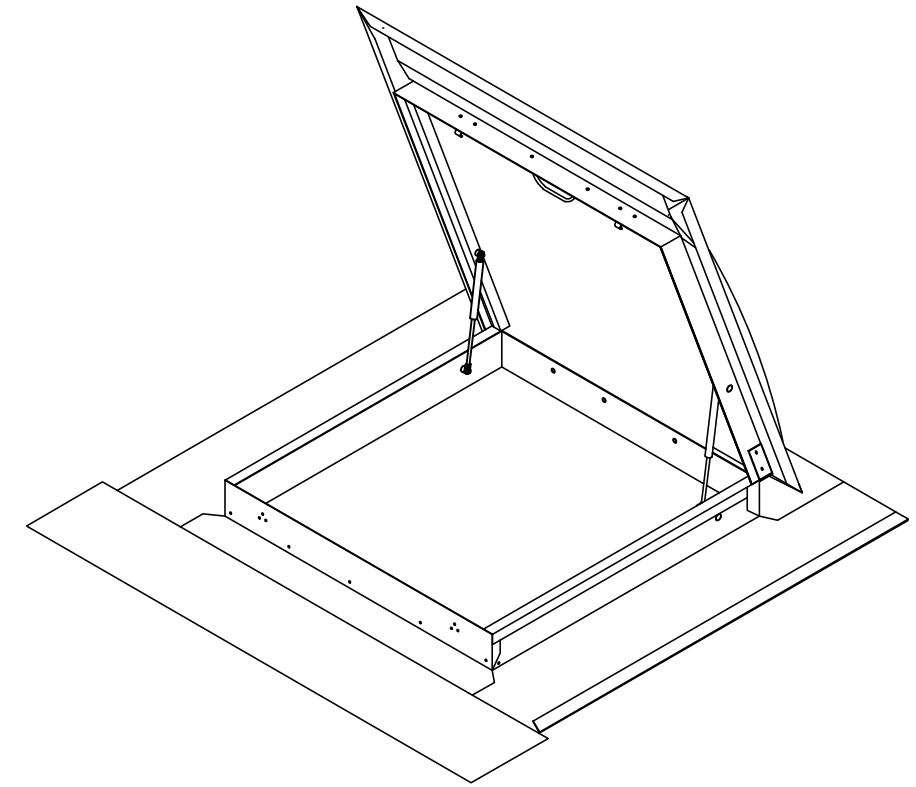


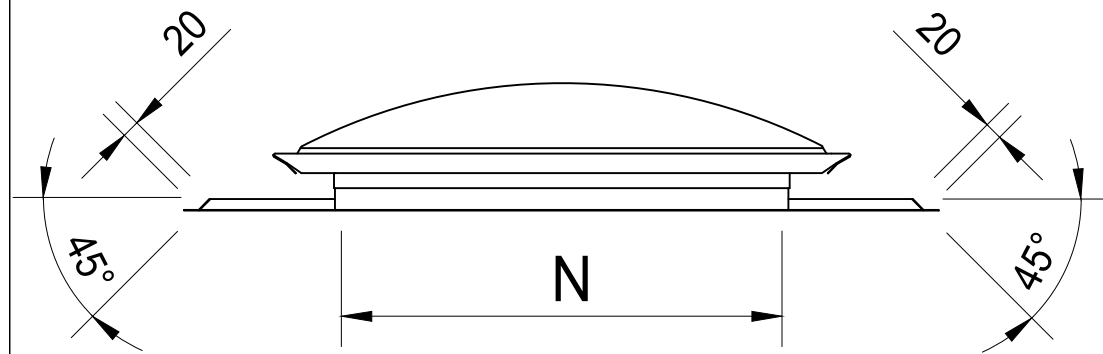
TOP VIEW



SIDE VIEW



ISOMETRIC VIEW



FRONT VIEW

LEGEND:

A= WIDTH
 B= LENGTH
 N= NOMINAL SIZE

SKYLIGHT HATCH - TILE (SQUARE)			
PRODUCT CODE	A (mm)	B (mm)	N (mm)
SLH500TU	900	900	460x500
SLH600TU	1000	1000	560x600
SLH800TU	1200	1200	760x800
SLH900TU	1300	1300	860x900
SLH1100TU	1500	1500	1060X1100

SKYLIGHT HATCH - TILE (RECTANGULAR)			
PRODUCT CODE	A (mm)	B (mm)	N (mm)
SLH5070TU	900	1100	460x700
SLH50110TU	900	1500	460x1100
SLH6090TU	1000	1300	560x900
SLH60120TU	1000	1600	560x1200
SLH80110TU	1200	1500	760x1100

DO NOT SCALE DRAWINGS, USE FIGURED DIMENSIONS

Rev. Issue / Amendment By App. Date

Client

Project
 ONLINE PRODUCT OVERVIEW

Title
 SKYLIGHT HATCH TILE

Designed

RLF

Scale at A3 Date Drawn

KC

Job No. Drawing No. Amdt.

SLH- TU P1



12 Turbo Road,
 Kings Park
 NSW 2148

© 2019 SkySpan
 All Rights Reserved.

COPYRIGHT: THE DESIGN AND DETAILS SHOWN ON THIS DRAWING ARE SPECIFIC TO THIS PROJECT ONLY AND MAY NOT BE REPRODUCED IN WHOLE OR IN PART OR BE USED FOR ANY OTHER PROJECT OR PURPOSE WITHOUT THE WRITTEN CONSENT OF SKYSPAN AUSTRALIA PTY LTD.