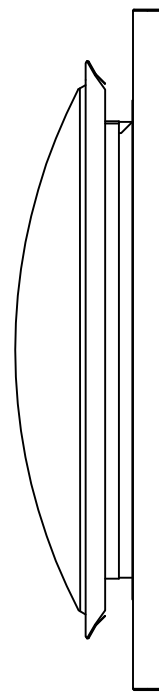
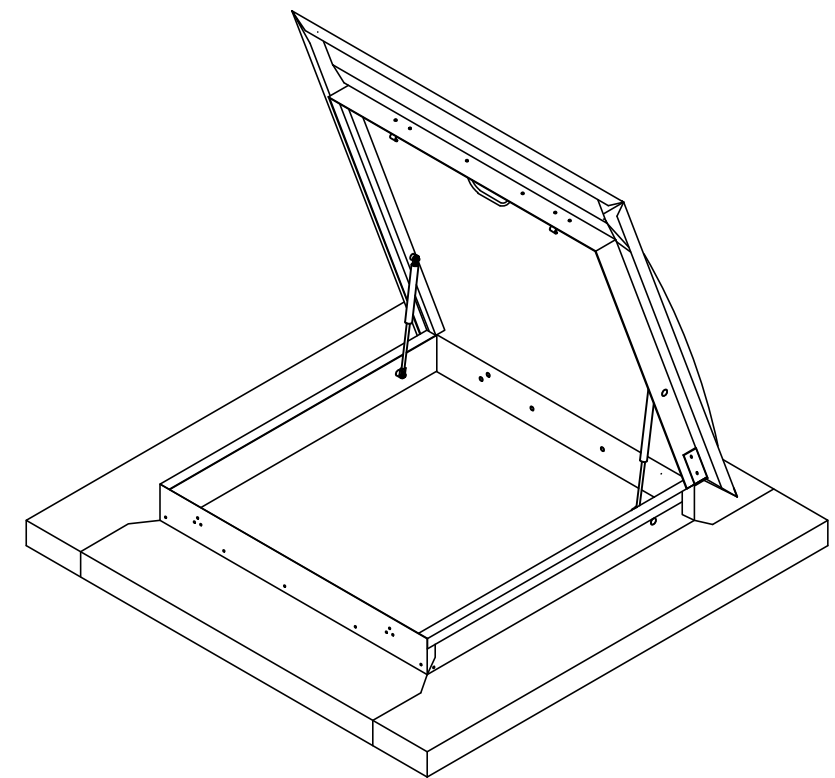


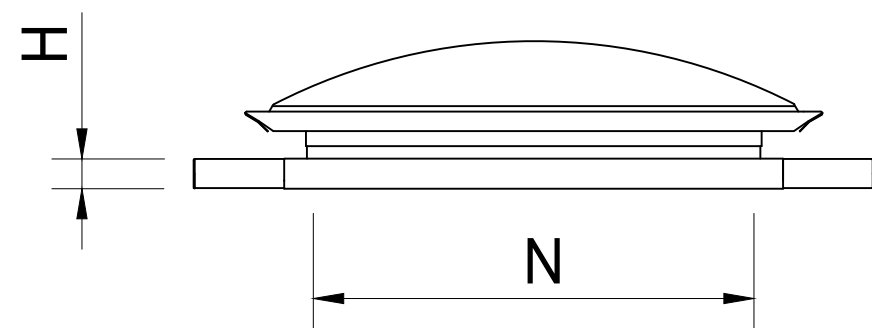
TOP VIEW



SIDE VIEW



ISOMETRIC VIEW



FRONT VIEW

LEGEND:

- A= WIDTH
- B= LENGTH
- H= HEIGHT
- N= NOMINAL SIZE

SKYLIGHT HATCH METALDECK- KLIPLOK (SQUARE)				
PRODUCT CODE	A (mm)	B (mm)	H (mm)	N (mm)
SLH500AU	800	800	40	460x500
SLH600AU	900	900	40	560x600
SLH800AU	1100	1100	40	760x800
SLH900AU	1200	1200	40	860x900
SLH1100AU	1400	1400	40	1060X1100

SKYLIGHT HATCH METALDECK- KLIPLOK (RECTANGULAR)				
PRODUCT CODE	A (mm)	B (mm)	H (mm)	N (mm)
SLH5070AU	800	1000	40	460x700
SLH50110AU	800	1400	40	460x1100
SLH6090AU	900	1200	40	560x900
SLH60120AU	900	1500	40	560x1200
SLH80110AU	1100	1400	40	760x1100

DO NOT SCALE DRAWINGS, USE FIGURED DIMENSIONS

Rev. Issue / Amendment By App. Date

Client

Project
ONLINE PRODUCT OVERVIEW

Title
SKYLIGHT HATCH METALDECK- KLIPLOK

Designed

RLF

Scale at A3 Date Drawn
KC

Job No. Drawing No. Amdt.
SLH-AU-K P1



COPYRIGHT: THE DESIGN AND DETAILS SHOWN ON THIS DRAWING ARE SPECIFIC TO THIS PROJECT ONLY AND MAY NOT BE REPRODUCED IN WHOLE OR IN PART OR BE USED FOR ANY OTHER PROJECT OR PURPOSE WITHOUT THE WRITTEN CONSENT OF SKYSPAN AUSTRALIA PTY LTD.