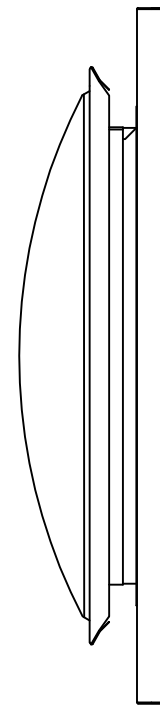
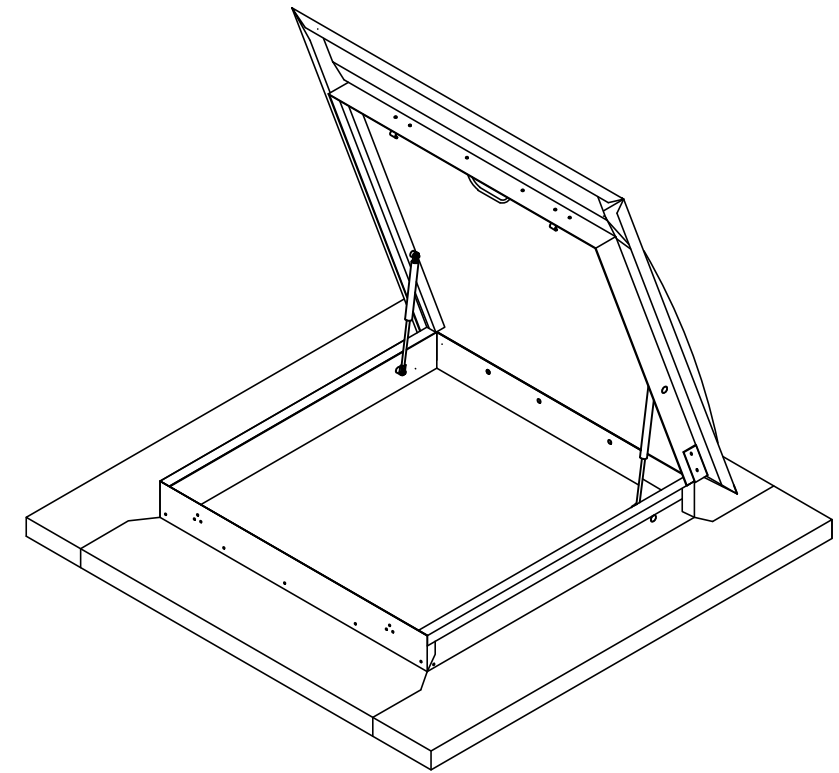


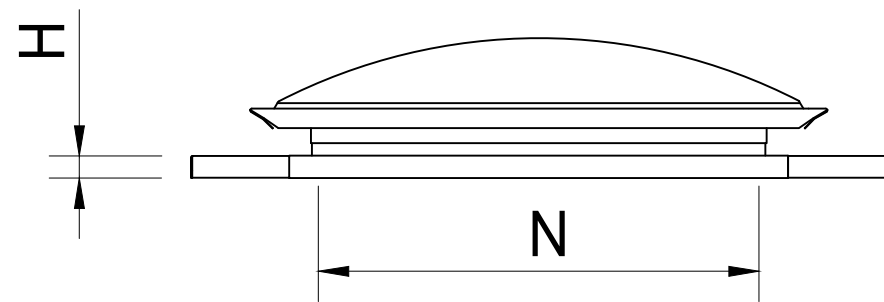
TOP VIEW



SIDE VIEW



ISOMETRIC VIEW



FRONT VIEW

LEGEND:
 A= WIDTH
 B= LENGTH
 H= HEIGHT
 N= NOMINAL SIZE

SKYLIGHT HATCH METALDECK- TRIMDEK (SQUARE)				
PRODUCT CODE	A (mm)	B (mm)	H (mm)	N (mm)
SLH500AU	820	820	30	460x500
SLH600AU	920	920	30	560x600
SLH800AU	1120	1120	30	760x800
SLH900AU	1220	1220	30	860x900
SLH1100AU	1420	1420	30	1060X1100

SKYLIGHT HATCH METALDECK- TRIMDEK (RECTANGULAR)				
PRODUCT CODE	A (mm)	B (mm)	H (mm)	N (mm)
SLH5070AU	820	1020	30	460x700
SLH50110AU	820	1420	30	460x1100
SLH6090AU	920	1220	30	560x900
SLH60120AU	920	1520	30	560x1200
SLH80110AU	1120	1420	30	760x1100

DO NOT SCALE DRAWINGS, USE FIGURED DIMENSIONS

Rev. Issue / Amendment By App. Date

Client

Project
ONLINE PRODUCT OVERVIEW

Title
SKYLIGHT HATCH METALDECK- TRIMDEK

Designed

RLF

Scale at A3 Date Drawn
KC

Job No. Drawing No. Amdt.
SLH-AU-T P1



12 Turbo Road,
Kings Park
NSW 2148

© 2019 SkySpan
All Rights Reserved.

COPYRIGHT: THE DESIGN AND DETAILS SHOWN ON THIS DRAWING ARE SPECIFIC TO THIS PROJECT ONLY AND MAY NOT BE REPRODUCED IN WHOLE OR IN PART OR BE USED FOR ANY OTHER PROJECT OR PURPOSE WITHOUT THE WRITTEN CONSENT OF SKYSPAN AUSTRALIA PTY LTD.