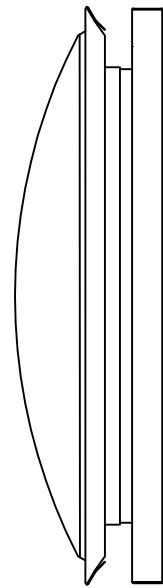
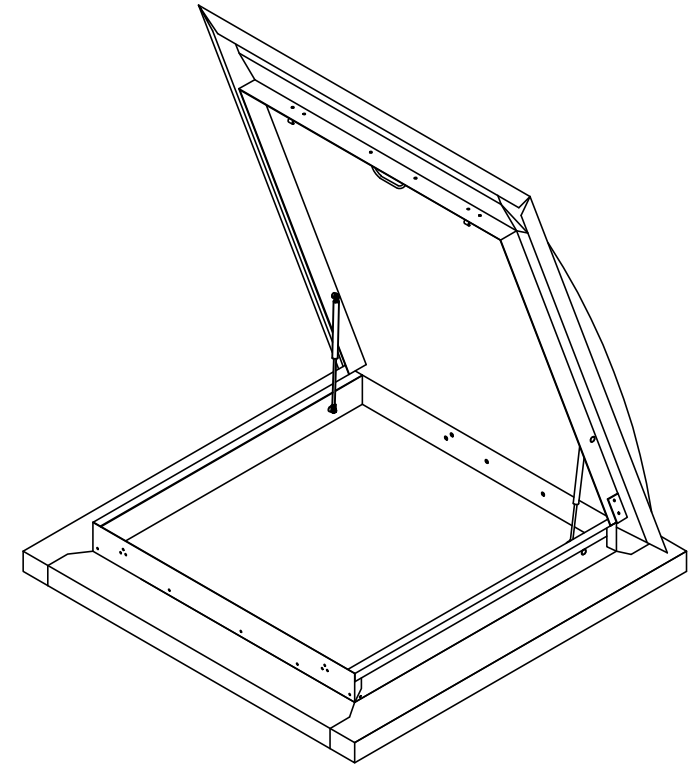


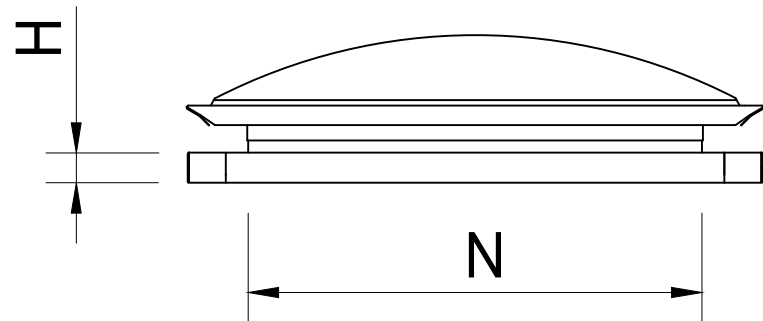
TOP VIEW



SIDE VIEW



ISOMETRIC VIEW



FRONT VIEW

SKYLIGHT HATCH AU-STD (SQUARE)				
PRODUCT CODE	A (mm)	B (mm)	H (mm)	N (mm)
SLH500AU	660	660	40	460x500
SLH600AU	760	760	40	560x600
SLH800AU	960	960	40	760x800
SLH900AU	1060	1060	40	860x900
SLH1100AU	1260	1260	40	1060X1100

SKYLIGHT HATCH AU-STD (RECTANGULAR)				
PRODUCT CODE	A (mm)	B (mm)	H (mm)	N (mm)
SLH5070AU	660	860	40	460x700
SLH50110AU	660	1260	40	460x1100
SLH6090AU	760	1060	40	560x900
SLH60120AU	60	1360	40	560x1200
SLH80110AU	960	1260	40	760x1100

LEGEND:
 A= WIDTH
 B= LENGTH
 H= HEIGHT
 N= NOMINAL SIZE

DO NOT SCALE DRAWINGS, USE FIGURED DIMENSIONS



COPYRIGHT: THE DESIGN AND DETAILS SHOWN ON THIS DRAWING ARE SPECIFIC TO THIS PROJECT ONLY AND MAY NOT BE REPRODUCED IN WHOLE OR IN PART OR BE USED FOR ANY OTHER PROJECT OR PURPOSE WITHOUT THE WRITTEN CONSENT OF SKYSPAN AUSTRALIA PTY LTD.

Rev.	Issue / Amendment	By	App. Date

Client

Project
 ONLINE PRODUCT OVERVIEW

Title
 SKYLIGHT HATCH AU-STD

Designed	RLF
Scale at A3	Date
	14/08/20
Drawn	KC
Job No.	Drawing No.
	SLH-AU-STD
Amdt.	P1