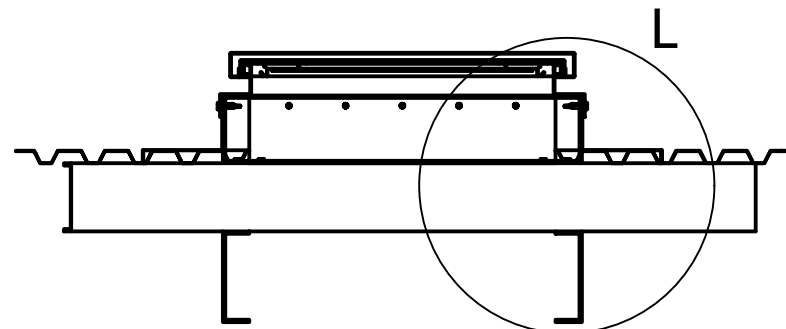


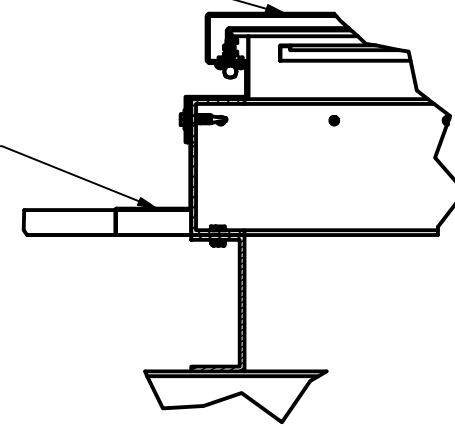
L (1 : 10)

ISOMETRIC OVERVIEW

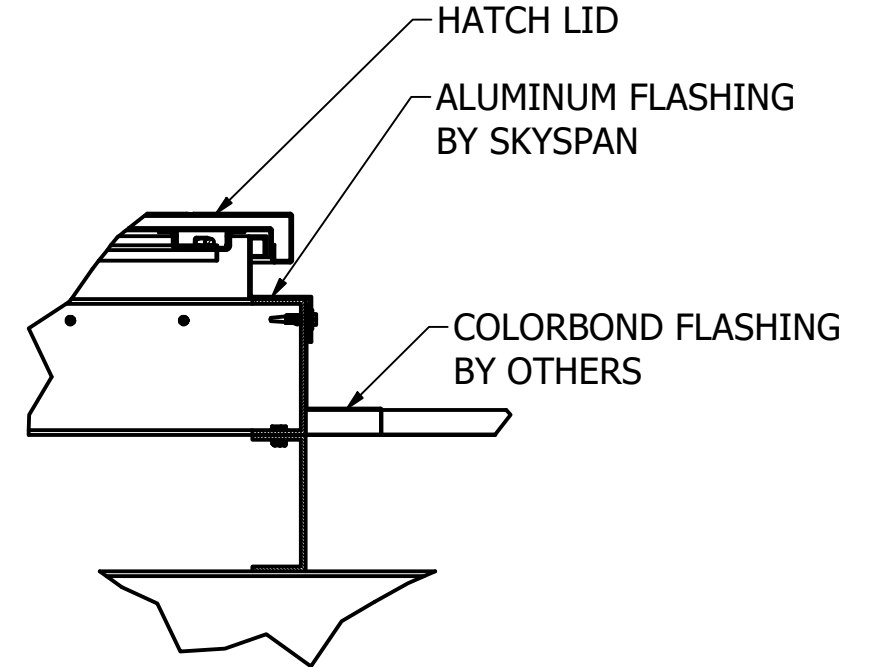


F-F (0.05 : 1)

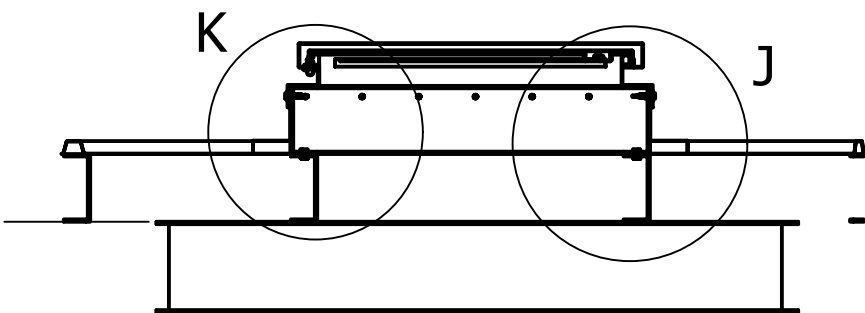
HATCH LID



K (1 : 10)



J (1 : 10)



H-H (0.05 : 1)

DO NOT SCALE DRAWING. USE FIGURED DIMENSION

REV. Issue / Amendment By App. Date

SKYSPAN AUSTRALIA

Client

Drawing Title

Designed by: RLF



© 2023 Skyspan All rights reserved

Business Name:

Project Name:

MHC Cyclone Roof Access Hatch Online Overview

Drawn by: LRR

COPYRIGHT: THE DESIGN AND DETAILS SHOWN ON THIS DRAWING ARE SPECIFIC TO THIS PROJECT ONLY AND MAY NOT BE REPRODUCED IN WHOLE OR IN PART OR BE USED FOR ANY OTHER PROJECT OR PURPOSE WITHOUT THE WRITTEN CONSENT OF SKYSPAN AUSTRALIA PTY LTD.

Reference Order #:

Flashing Number:

Flashing Quantity:

Date: 10/26/2021

Scale: Drawing No.: 1

Job Number: Amdt.: