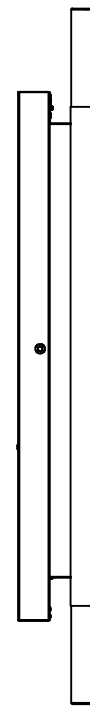
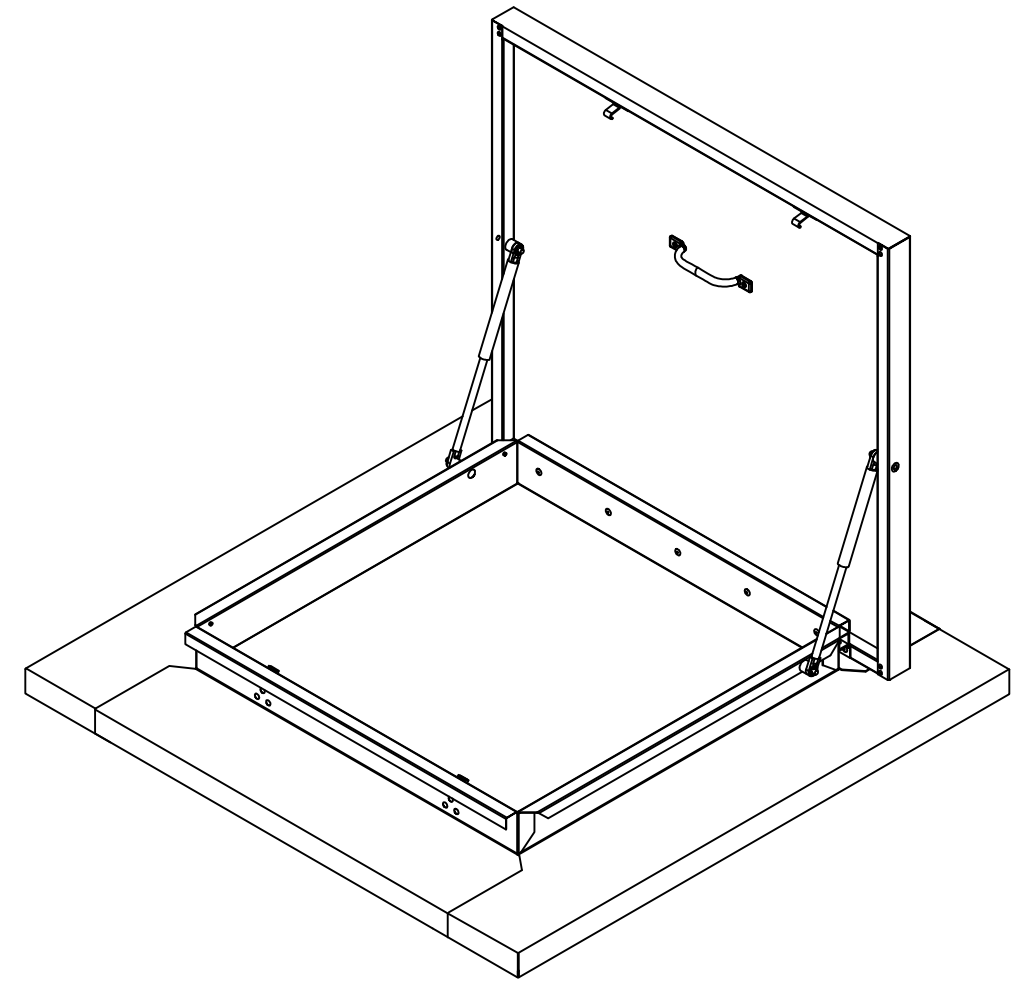


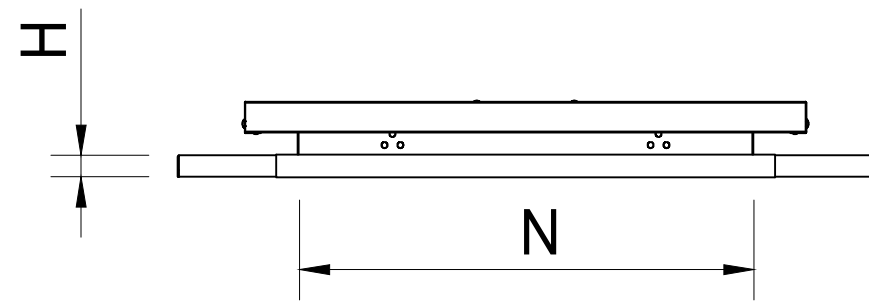
TOP VIEW



SIDE VIEW



ISOMETRIC VIEW



FRONT VIEW

LEGEND:
 A= WIDTH
 B= LENGTH
 H= HEIGHT
 N= NOMINAL SIZE

METAL HATCH METALDECK- TRIMDEK (SQUARE)				
PRODUCT CODE	A (mm)	B (mm)	H (mm)	N (mm)
MH600AU	920	920	30	600x600
MH800AU	1120	1120	30	800x800
MH900AU	1220	1220	30	900x900
MH1000AU	1320	1320	30	1000x1000

METAL HATCH METALDECK- TRIMDEK (RECTANGULAR)				
PRODUCT CODE	A (mm)	B (mm)	H (mm)	N (mm)
MH5070AU	820	1020	30	500x700
MH50110AU	820	1420	30	500x1100
MH6090AU	920	1220	30	600x900
MH60120AU	920	1520	30	600x1200
MH80110AU	1120	1420	30	800x1100
MH90120AU	1220	1520	30	900x1200

DO NOT SCALE DRAWINGS, USE FIGURED DIMENSIONS



12 Turbo Road,
 Kings Park,
 NSW 2148
 © 2019 SkySpan
 All Rights Reserved.

COPYRIGHT: THE DESIGN AND DETAILS SHOWN ON THIS DRAWING ARE SPECIFIC TO THIS PROJECT ONLY AND MAY NOT BE REPRODUCED IN WHOLE OR IN PART OR BE USED FOR ANY OTHER PROJECT OR PURPOSE WITHOUT THE WRITTEN CONSENT OF SKYSPAN AUSTRALIA PTY LTD.

Rev.	Issue / Amendment	By	App. Date
P1	ONLINE OVERVIEW	KC	22/03/19

Client

Project
 ONLINE PRODUCT OVERVIEW

Title
 METAL HATCH METALDECK- TRIMDEK

		Designed RLF
Scale at A3	Date 22/03/19	Drawn KC
Job No.	Drawing No. MH-AU-T	Amdt. P1