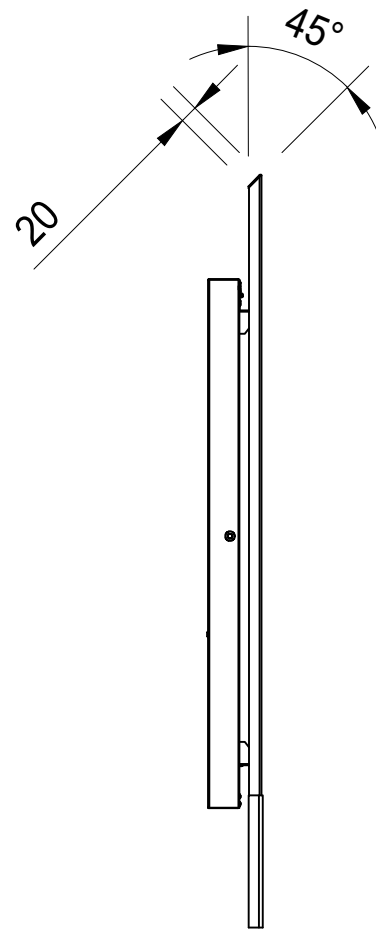
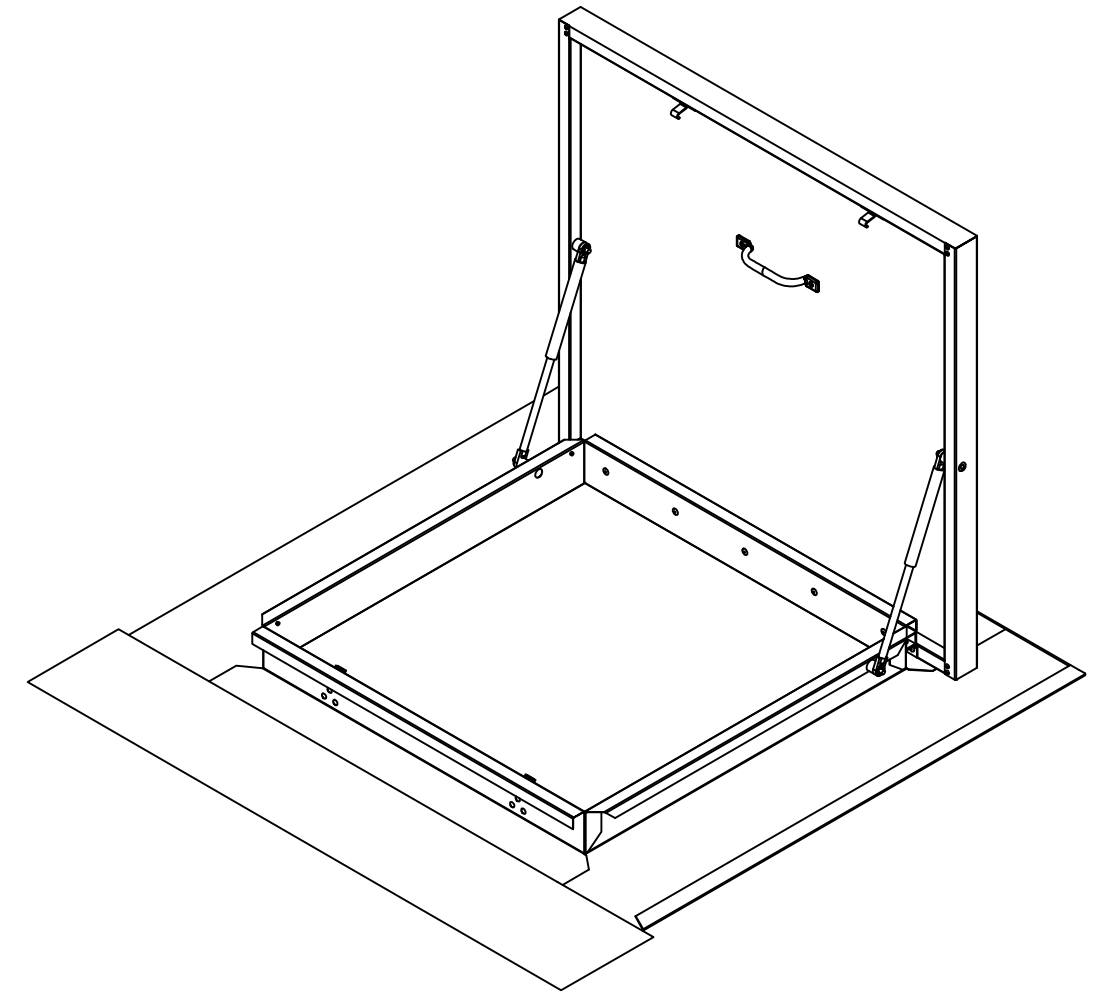


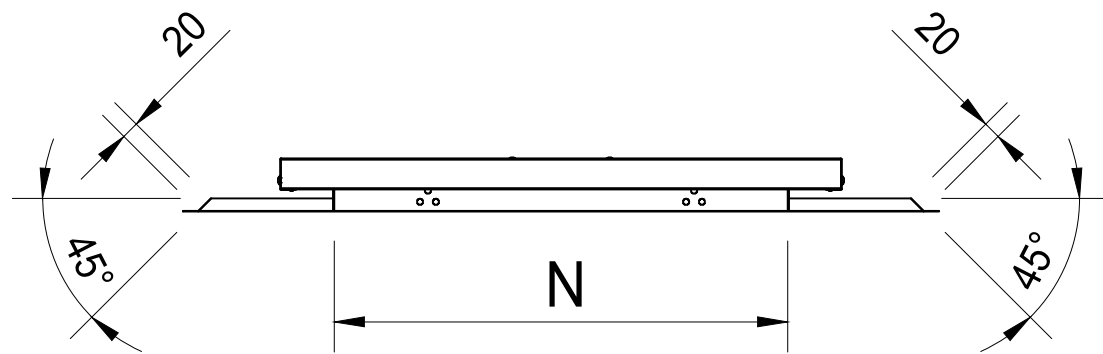
TOP VIEW



SIDE VIEW



ISOMETRIC VIEW



FRONT VIEW

**LEGEND:**  
 A= WIDTH  
 B= LENGTH  
 N= NOMINAL SIZE

METAL HATCH - TILE (SQUARE)			
PRODUCT CODE	A (mm)	B (mm)	N (mm)
MH600TU	960	1000	600x600
MH800TU	1160	1200	800x800
MH900TU	1260	1300	900x900
MH1000TU	1360	1400	1000x1000

METAL HATCH - TILE (RECTANGULAR)			
PRODUCT CODE	A (mm)	B (mm)	N (mm)
MH5070TU	860	1100	500x700
MH50110TU	860	1500	500x1100
MH6090TU	960	1300	600x900
MH60120TU	960	1600	600x1200
MH80110TU	1160	1500	800x1100
MH90120TU	1260	1600	900x1200

DO NOT SCALE DRAWINGS, USE FIGURED DIMENSIONS



12 Turbo Road,  
 Kings Park,  
 NSW 2148  
 © 2019 SkySpan  
 All Rights Reserved.

COPYRIGHT: THE DESIGN AND DETAILS SHOWN ON THIS DRAWING ARE SPECIFIC TO THIS PROJECT ONLY AND MAY NOT BE REPRODUCED IN WHOLE OR IN PART OR BE USED FOR ANY OTHER PROJECT OR PURPOSE WITHOUT THE WRITTEN CONSENT OF SKYSPAN AUSTRALIA PTY LTD.

Rev.	Issue / Amendment	By	App. Date
P1	ONLINE OVERVIEW	KC	22/03/19

Client

Project  
 ONLINE PRODUCT OVERVIEW

Title  
 METAL HATCH - TILE

Designed	RLF
Scale at A3	Date 22/03/19
Job No.	Drawing No. MH-TU
Drawn	Amdt. P1