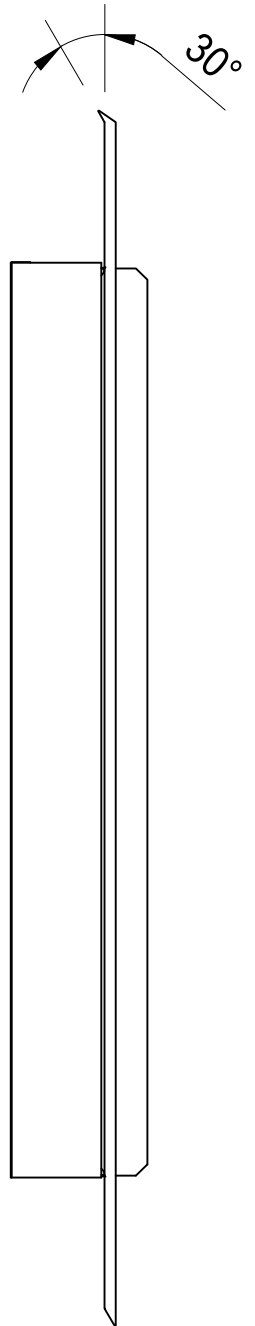
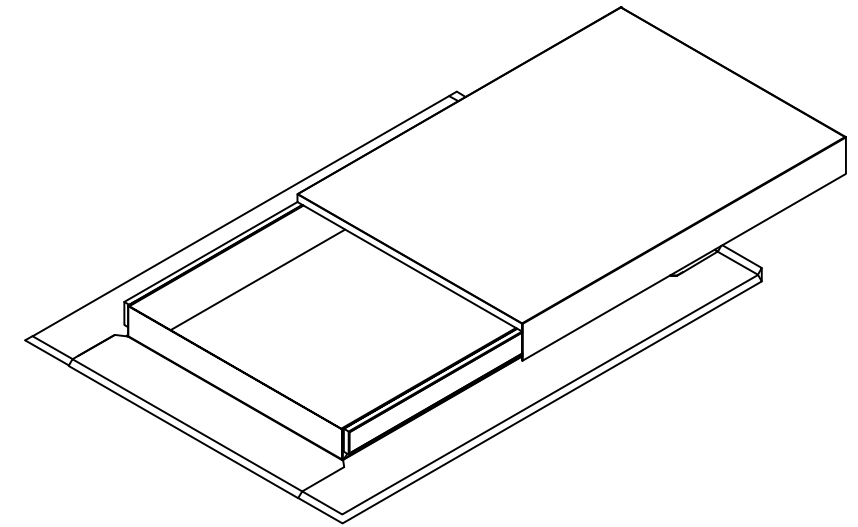


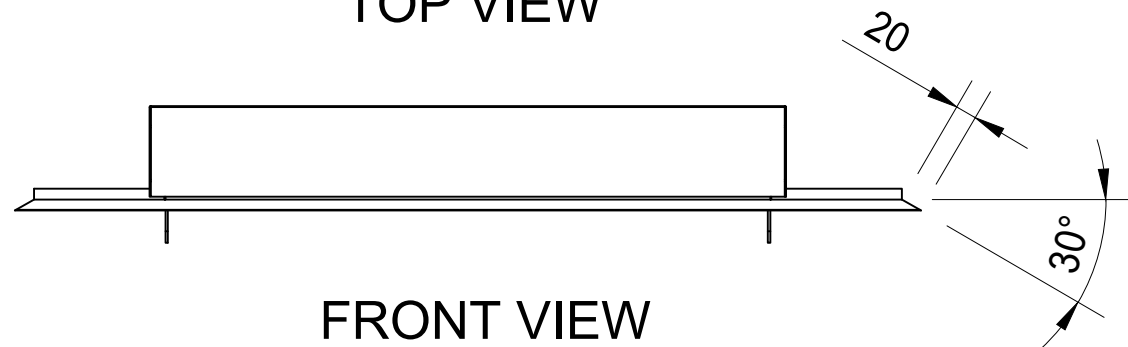
A
B
TOP VIEW



30°
30°
SIDE VIEW



ISOMETRIC VIEW



20
30°
FRONT VIEW

EZISLIDER ROOF ACCESS HATCH - CORRUGATED			
PRODUCT CODE	A (mm)	B (mm)	PRODUCT SIZE (mm)
MSH801200CT	1160	1560	800x1200
MSH900CT	1260	1260	900x900
MSH1001500CT	1360	1860	1000x1500

DO NOT SCALE DRAWINGS, USE FIGURED DIMENSIONS



12 Turbo Road,
Kings Park,
NSW 2148
© 2019 SkySpan
All Rights Reserved.

COPYRIGHT: THE DESIGN AND DETAILS SHOWN ON THIS DRAWING ARE SPECIFIC TO THIS PROJECT ONLY AND MAY NOT BE REPRODUCED IN WHOLE OR IN PART OR BE USED FOR ANY OTHER PROJECT OR PURPOSE WITHOUT THE WRITTEN CONSENT OF SKYSPAN AUSTRALIA PTY LTD.

Rev.	Issue / Amendment	By	App. Date
P1	ONLINE OVERVIEW	KC	22/03/19

Client

Project
ONLINE PRODUCT OVERVIEW

Title
EZISLIDER ROOF ACCESS HATCH -
CORRUGATED

Designed RLF		
Scale at A3	Date	Drawn
	22/03/19	KC
Job No.	Drawing No.	Amdt.
	MSH-CT	P1