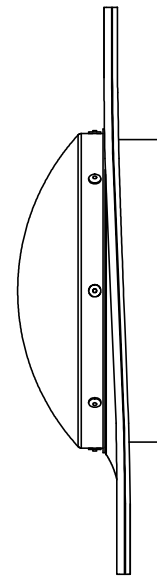
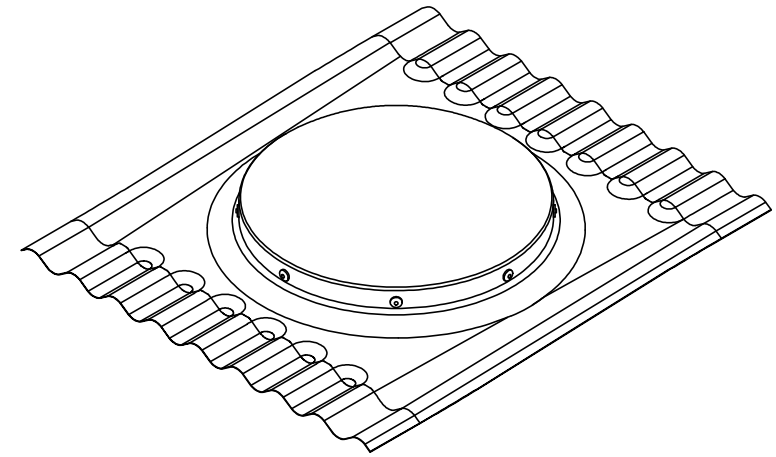


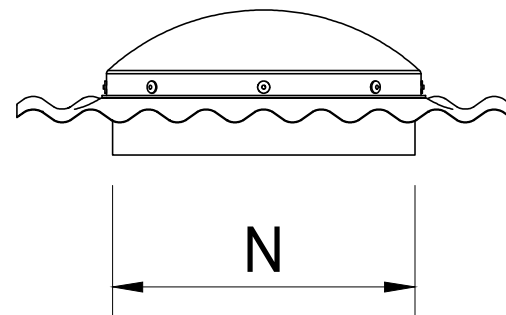
TOP VIEW



SIDE VIEW



ISOMETRIC VIEW



FRONT VIEW

SUNPIPE TUBELIGHT - CORRUGATED				
SKYSPAN PRODUCT CODE	A (mm)	B (mm)	NØ (mm)	VENTING SYSTEM
TL300CSFSK	585	650	300	NO
TL400CSFSK	653	750	400	NO
TL500CSFSK	735	850	500	NO

LEGEND:
 A= WIDTH
 B= LENGTH
 N= NOMINAL SIZE

DO NOT SCALE DRAWINGS, USE FIGURED DIMENSIONS



12 Turbo Road,
 Kings Park,
 NSW 2148
 © 2019 SkySpan
 All Rights Reserved.

COPYRIGHT: THE DESIGN AND DETAILS SHOWN ON THIS DRAWING ARE SPECIFIC TO THIS PROJECT ONLY AND MAY NOT BE REPRODUCED IN WHOLE OR IN PART OR BE USED FOR ANY OTHER PROJECT OR PURPOSE WITHOUT THE WRITTEN CONSENT OF SKYSPAN AUSTRALIA PTY LTD.

Rev.	Issue / Amendment	By	App. Date
P1	ONLINE OVERVIEW	KC	19/03/19

Client

Project
 ONLINE PRODUCT OVERVIEW
 Title
 SUNPIPE TUBELIGHT - CORRUGATED

		Designed RLF
Scale at A3	Date 19/03/19	Drawn KC
Job No.	Drawing No. TL-CS	Amdt. P1