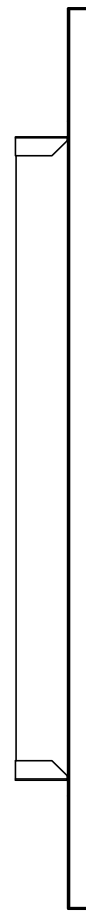
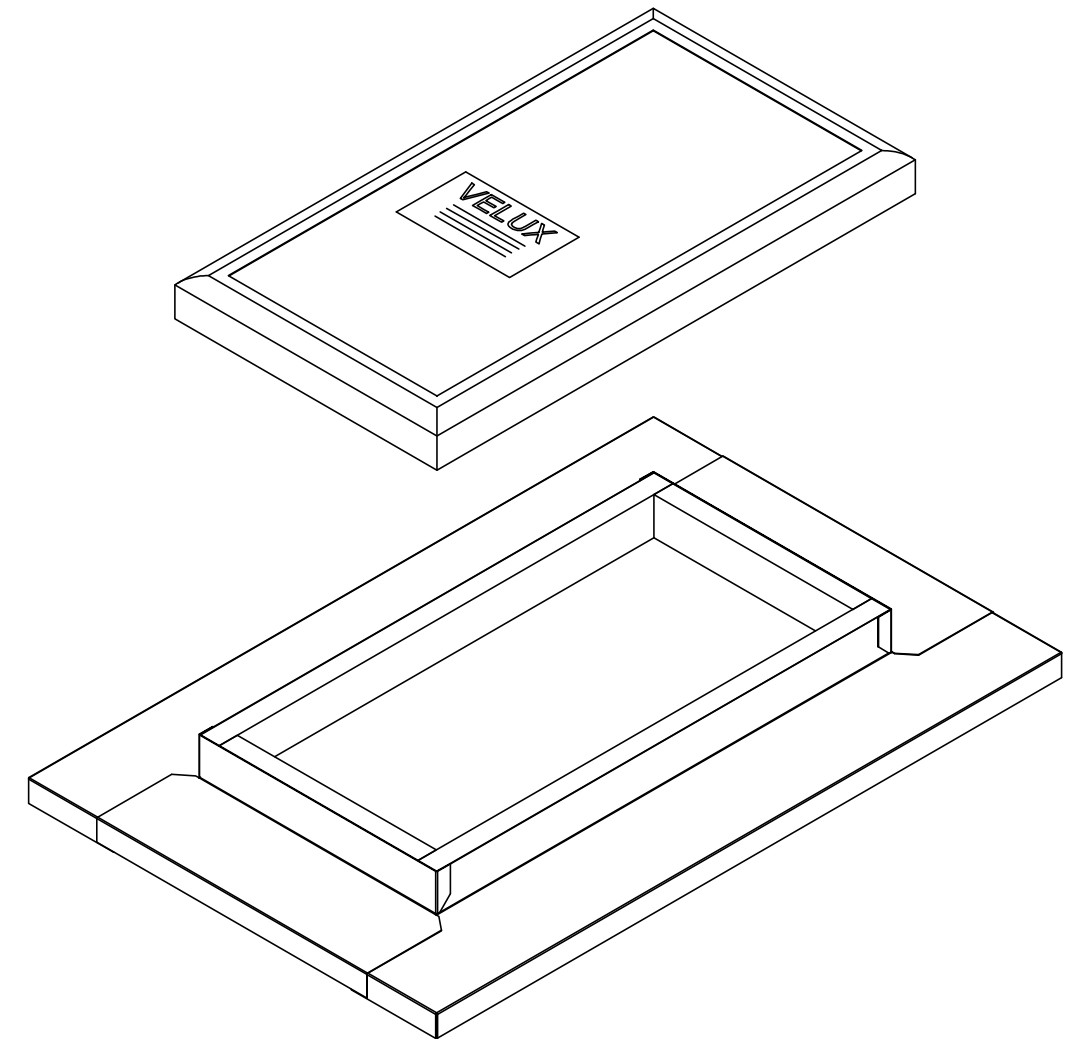


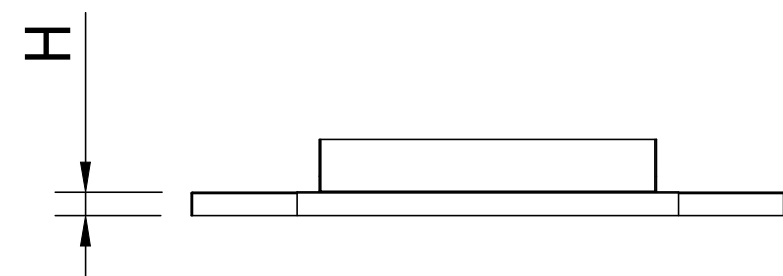
TOP VIEW



SIDE VIEW



ISOMETRIC VIEW



FRONT VIEW

LEGEND:
 A = WIDTH
 B = LENGTH
 H = HEIGHT

SKYSPAN CUSTOM FCM FLASHING - TRIMDEK					
*Dimensions A and B are correct for standard crush fold. For option of no Crush fold, add 20mm to dimensions A and B.					
SKYSPAN PRODUCT CODE	VELUX PRODUCT CODE	A (mm)	B (mm)	H (mm)	INNER GLASS DIMENSIONS (mm)
V1430TFAU	1430	780	1190	30	368x775
V2222TFAU	2222	985	985	30	572x572
V2230TFAU	2230	985	1190	30	572x775
V2234TFAU	2234	985	1290	30	572x877
V2246TFAU	2246	985	1595	30	572x1181
V2270TFAU	2270	985	2205	30	572x1792
V3030TFAU	3030	1190	1190	30	775x775
V3046TFAU	3046	1190	1595	30	775x1181
V3434TFAU	3434	1290	1290	30	876x876
V4646TFAU	4646	1595	1595	30	1181x1181

DO NOT SCALE DRAWINGS, USE FIGURED DIMENSIONS



12 Turbo Road,
 Kings Park,
 NSW 2148

© 2019 SkySpan
 All Rights Reserved.

COPYRIGHT: THE DESIGN AND DETAILS SHOWN ON THIS DRAWING ARE SPECIFIC TO THIS PROJECT ONLY AND MAY NOT BE REPRODUCED IN WHOLE OR IN PART OR BE USED FOR ANY OTHER PROJECT OR PURPOSE WITHOUT THE WRITTEN CONSENT OF SKYSPAN AUSTRALIA PTY LTD.

Rev.	Issue / Amendment	By	App. Date
P1	ONLINE OVERVIEW	KC	

Client

Project
 ONLINE PRODUCT OVERVIEW

Title
 SKYSPAN CUSTOM FCM FLASHING -
 METALDECK TRIMDEK

Scale at A3		Date	Designed
		06/04/20	RLF
Job No.	Drawing No.	Drawn	
	V-TFAU	KC	
		Amdt.	
		P1	