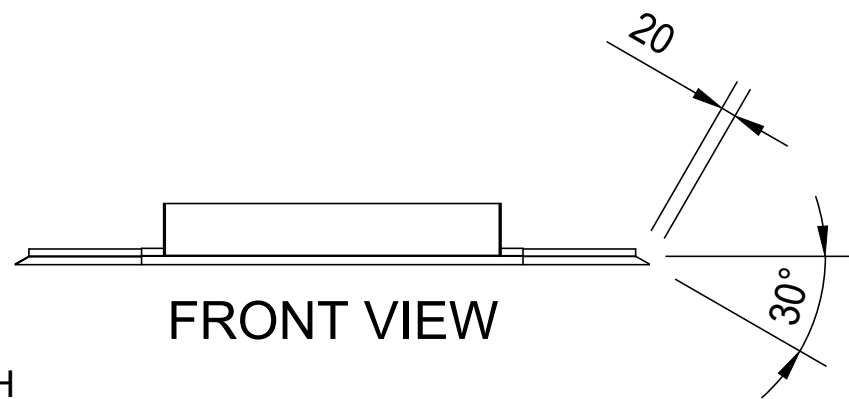


ISOMETRIC VIEW



FRONT VIEW

LEGEND:
 A = WIDTH
 B = LENGTH
 H = HEIGHT

SKYSPAN CUSTOM FCM FLASHING - CORRUGATED				
SKYSPAN PRODUCT CODE	VELUX PRODUCT CODE	A (mm)	B (mm)	INNER GLASS DIMENSIONS (mm)
V1430TFCT	1430	820	1230	368x775
V2222TFCT	2222	1025	1025	572x572
V2230TFCT	2230	1025	1230	572x775
V2234TFCT	2234	1025	1330	572x877
V2246TFCT	2246	1025	1635	572x1181
V2270TFCT	2270	1025	2245	572x1792
V3030TFCT	3030	1230	1230	775x775
V3046TFCT	3046	1230	1635	775x1181
V3434TFCT	3434	1330	1330	876x876
V4646TFCT	4646	1635	1635	1181x1181

DO NOT SCALE DRAWINGS, USE FIGURED DIMENSIONS



COPYRIGHT. THE DESIGN AND DETAILS SHOWN ON THIS DRAWING ARE SPECIFIC TO THIS PROJECT ONLY AND MAY NOT BE REPRODUCED IN WHOLE OR IN PART OR BE USED FOR ANY OTHER PROJECT OR PURPOSE WITHOUT THE WRITTEN CONSENT OF SKYSPAN AUSTRALIA PTY LTD.

Rev.	Issue / Amendment	By	App. Date
P1	ONLINE OVERVIEW	KC	

Client

Project
ONLINE PRODUCT OVERVIEW

Title
SKYSPAN CUSTOM FCM FLASHING - CORRUGATED

Scale at A3	Date	Designed
	06/04/20	RLF
Job No.	Drawing No.	Drawn
	V-TFCT	KC
		Amdt.
		P1