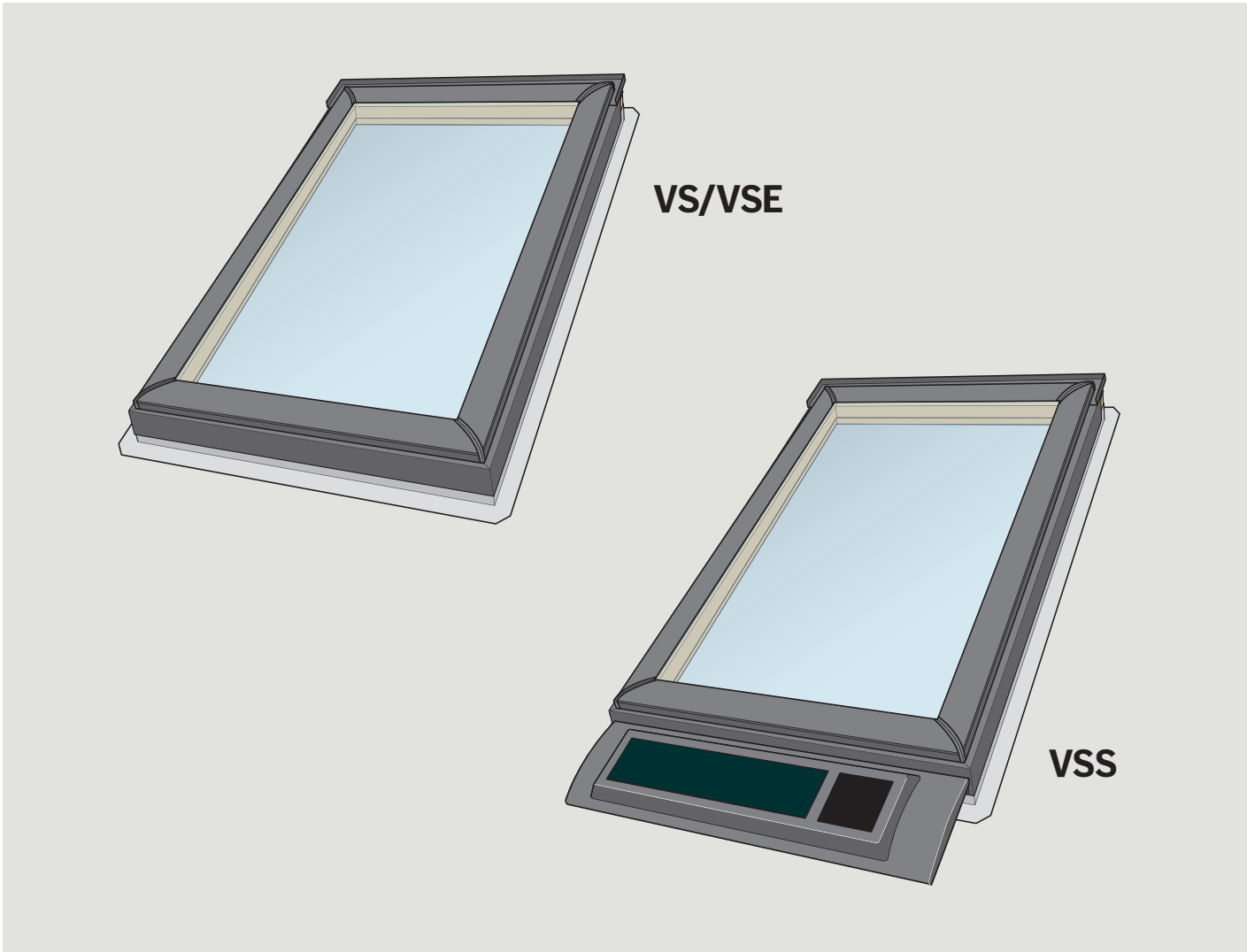


# VELUX INTEGRA® VS/VSE

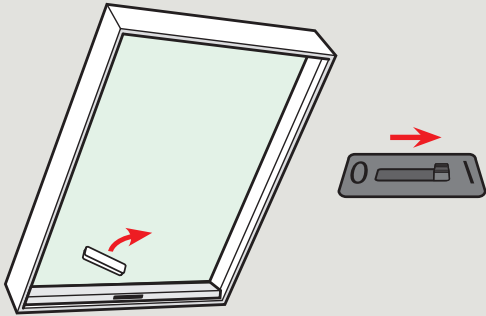
# VELUX INTEGRA® Solar VSS



Deck Mounted Skylight Installation Instructions

# VSS – Turn on power before installation

## Before mounting the skylight: Turn on power.



## Control: See enclosed Quick start guide.



## ⚠ VSE/VSS – Important information/Warnings

Read instructions carefully before installation and operation as incorrect installation can lead to severe injury. Please keep instructions for future reference and hand them over to any new user.

### Safety

- The skylight can be used by persons (aged 8 years and above) with sufficient experience and knowledge if they have been given instruction concerning its safe use and understand the hazards involved. Cleaning and user maintenance must not be made by unsupervised children.
- Children must not play with the skylight and its electrical products. The remote control should be kept out of reach of children. Do not allow children near an open skylight.
- Before operating, ensure that the skylight with electrical products can be operated without risk of damage to property or injury to people or animals.
- For personal safety, never have head, hand, arm or any other body part out of or through the opening of the skylight without first having switched off main power supply.
- If repair or adjustment work is needed, disconnect main power supply and ensure that it cannot be reconnected unintentionally.
- It is recommended to place a remote control in the room where the skylight and its electrical products have been installed.
- If the skylight is positioned within reach, the opening of the skylight operator must be adjusted to reduce the maximum size of the opening (see section *Adjusting the maximum opening* in the user manual for the control). Failure to make such adjustment can result in serious injury or death.
- Make sure that the insect screen is installed before putting the skylight into use.
- FCC ID: XSG863829 and IC ID: 8642A-863829: Remote control Certificate of Radio Equipment in Japan: No. 10215191/AA/00  
FCC ID: XSG863765 and IC ID: 8642A-863765: Window operator (skylight operator). This device complies with part 15 of the FCC and RSS-210 of the IC rules. Operation is subject to the following two conditions: (1) This device may not cause harmful interference, and (2) this device must accept any interference received, including interference that may cause undesired operation.
- This device has been tested and found to comply with the limits for a Class B digital device, pursuant to part 15 of the FCC Rules. These limits are designed to provide reasonable protection against harmful interference in a residential installation. This device generates, uses and can radiate radio frequency energy and, if not installed and used in accordance with the instructions, may cause harmful interference to radio communications. However, there is no guarantee that interference will not occur in a particular installation. If this device does cause harmful interference to radio or television reception, which can be determined by turning the device off and on, the user is encouraged to try to correct the interference by one or more of the following measures:
  - Reorient or relocate the receiving antenna.
  - Increase the separation between the device and receiver.
  - Connect the device to an outlet on a circuit different from that to which the receiver is connected.
  - Consult the dealer or an experienced radio/TV technician for help.Changes or modifications not expressly approved by the party responsible for compliance could void the user's authority to operate the device.

- FCC Radiation Exposure Statement: This device complies with FCC RF radiation exposure limits set forth for an uncontrolled environment.
- The term "IC:" before the device certification number signifies that the Industry Canada technical specifications were met.

### Function

- If the rain sensor gets wet, the skylight automatically closes.
- Disabling the rain sensor while the skylight is open implies a risk of rain water entering the building.
- If the rain sensor is activated, the skylight will close within approximately 30 seconds. If the skylight is activated with the remote control or another activation control, it will take up to one minute until the skylight is completely closed. Therefore, in case of sudden rain, water may enter the room before the skylight is closed.
- In case of snow and/or ice, the operation of the skylight may be blocked resulting in damage to the skylight.

### Product

- This product has been designed for use with genuine VELUX products. Connection to or use with other products may cause damage, malfunction or injury.
- Electrical products must be disposed of in conformity with all local codes, ordinances, rules and regulations for electronic waste and not with household waste.
- Used remote control batteries have to be disposed of in conformity with the relevant environmental regulations and ordinances.
- Expected battery lifetime of the remote control: Approx 1 year.
- The packaging can be disposed of with usual household waste.
- Radio frequency band: 2.4 GHz.
- Radio frequency range: 110 yards (100 m) free field. Depending on building construction, the indoor range is approx 30 ft (10 m). However, constructions with reinforced concrete, metal ceilings and plaster walls with steel members may reduce the range.

### Maintenance and service

- Disconnect main power supply before carrying out any maintenance, repair, adjustment or service work to the skylight or products connected to it (including battery backup KLB 100, if installed) and ensure that it cannot be reconnected unintentionally.
- Maintenance and installation must be carried out in consideration of Health and Safety at work requirements.
- There are no serviceable parts inside the skylight operator.
- Spare parts are available through your VELUX sales company. Please provide information from the data plate.
- If you have any technical questions, please contact your VELUX sales company, see telephone list or [www.velux.com](http://www.velux.com).

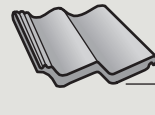


io-homecontrol® provides advanced and secure radio technology that is easy to install. io-homecontrol® labelled products communicate with each other, improving comfort, security and energy savings.

[www.io-homecontrol.com](http://www.io-homecontrol.com)



**VSS: 15° - 60°**  
**VS/VSE: 15° - 90°**



**VSS: max 50 mm**

**Roof pitch and roofing material**

Skylight VSS is limited to roof pitches 15° - 60° and roofing materials with maximum 50 mm overall thickness.

Skylights VS and VSE are designed for roof pitches 15° - 90° and roofing materials as specified for the VELUX flashings.

**Accessories**

Refer to instructions for accessory type in question or contact your VELUX sales company for further information.

**Vapour barrier**

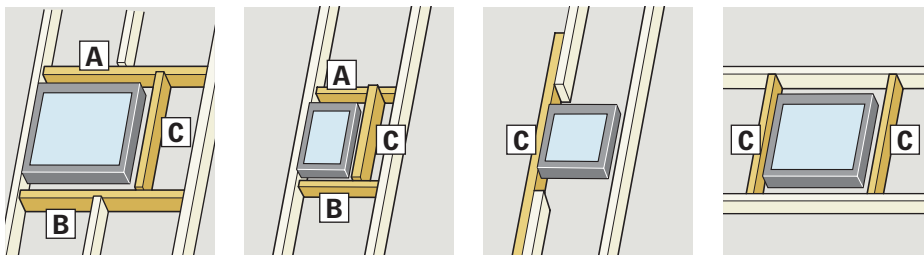
Where a vapour barrier is part of the roof construction, this barrier must be extended and connected to the skylight finish groove.

**Treatment of wooden frame**

Most VELUX skylights are pre-painted white and require no on-site painting. Stain grade skylights (available on order) have a temporary treatment against mould and mildew. Further treatment with wood stain, paint, etc is necessary and can be done prior to installation or shortly after installation. Make sure that wood stain, paint, etc is not applied to gaskets.

**Caution**

Removal of sash during installation of the skylight is not recommended. Please contact your VELUX sales company for further information.

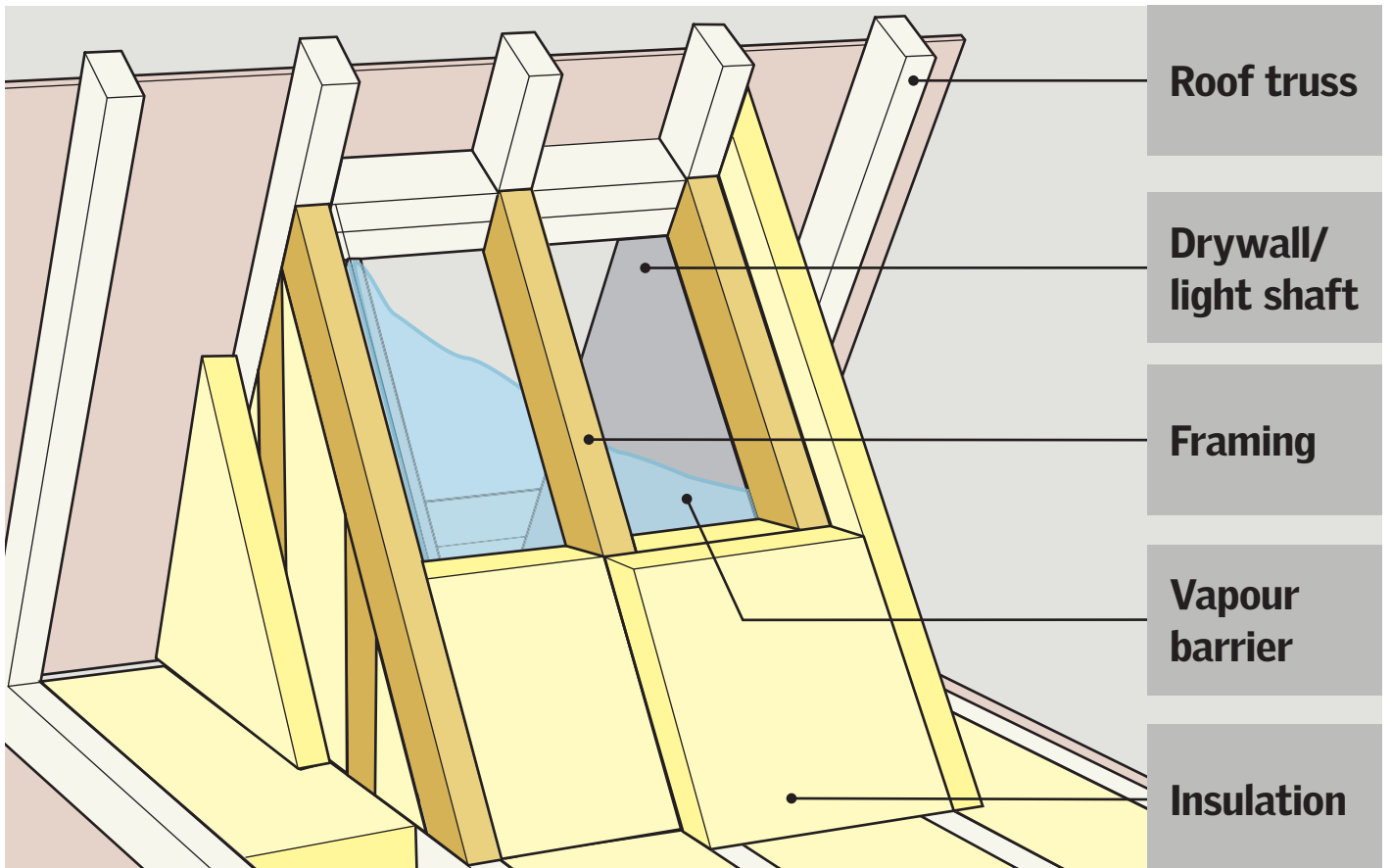


**Roofing rafters**

The skylight must be supported by roofing rafters as shown. Install top, side and bottom support rafters when necessary.

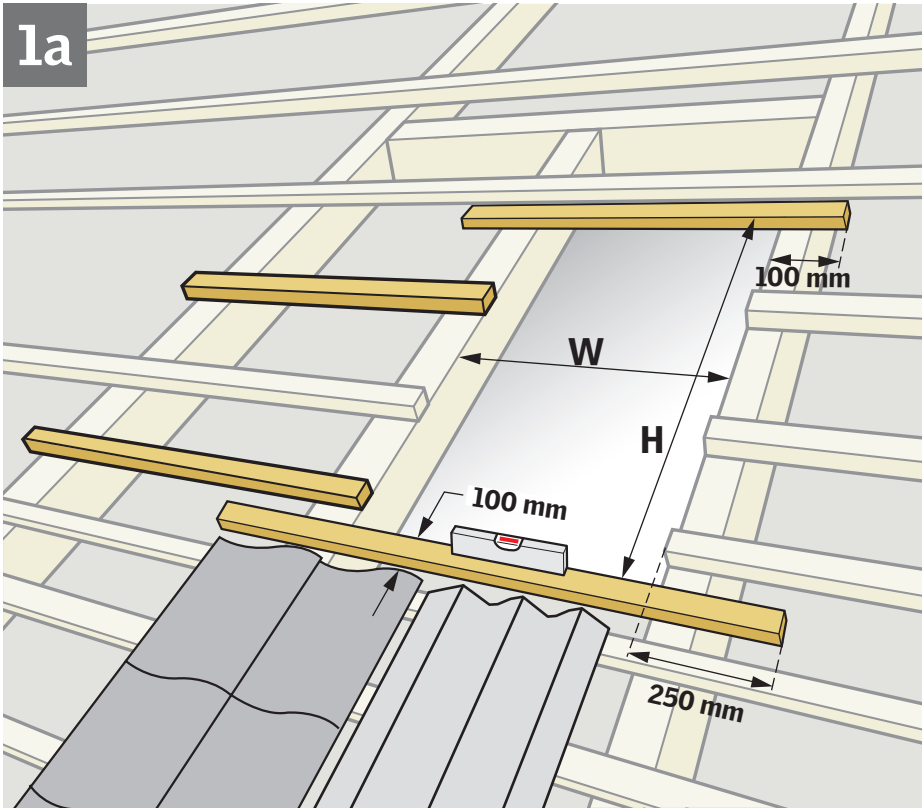
- A** Top support rafter.
- B** Bottom support rafter.
- C** Side support rafter.

**Planning for you VELUX skylight – Light shaft application**



# Framing out

1a



## Tiles and new metal sheet roofing with flashing EDW

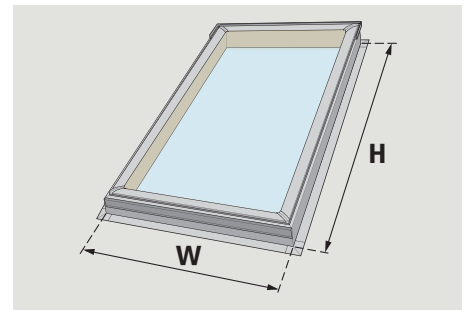
Prepare the rough opening to match the size of the skylight frame.

Install installation battens at top and bottom as shown and add support battens at the sides as necessary to support the flashing in minimum 2-3 places.

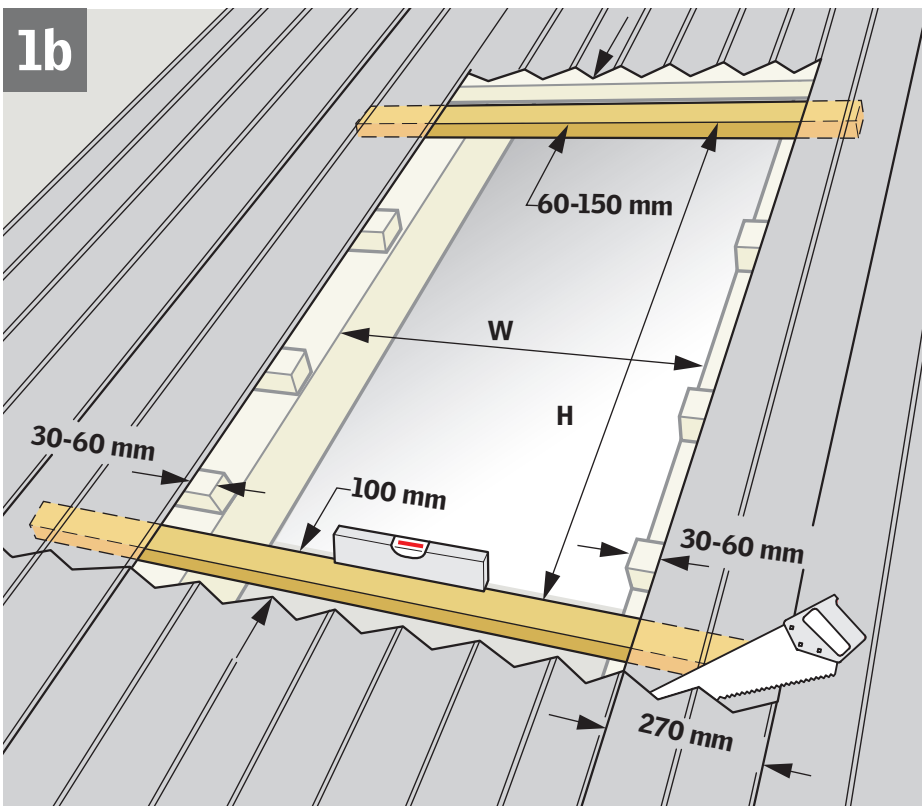
Keep 100 mm distance from edge of roofing material to top edge of installation batten.

**For tiles, ensure that the bottom of the skylight frame is fitted above a complete course of tiles.**

Check for level.



1b



## Existing metal sheet roofing with flashing EDW

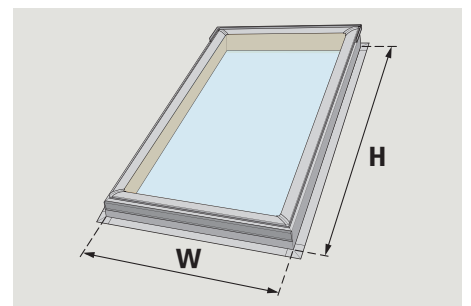
Cut the metal sheets as shown, maintaining the correct distance to the rough opening.

Finish the rough opening to match the size of the skylight frame.

Install installation battens as shown and headers and jack rafter as necessary.

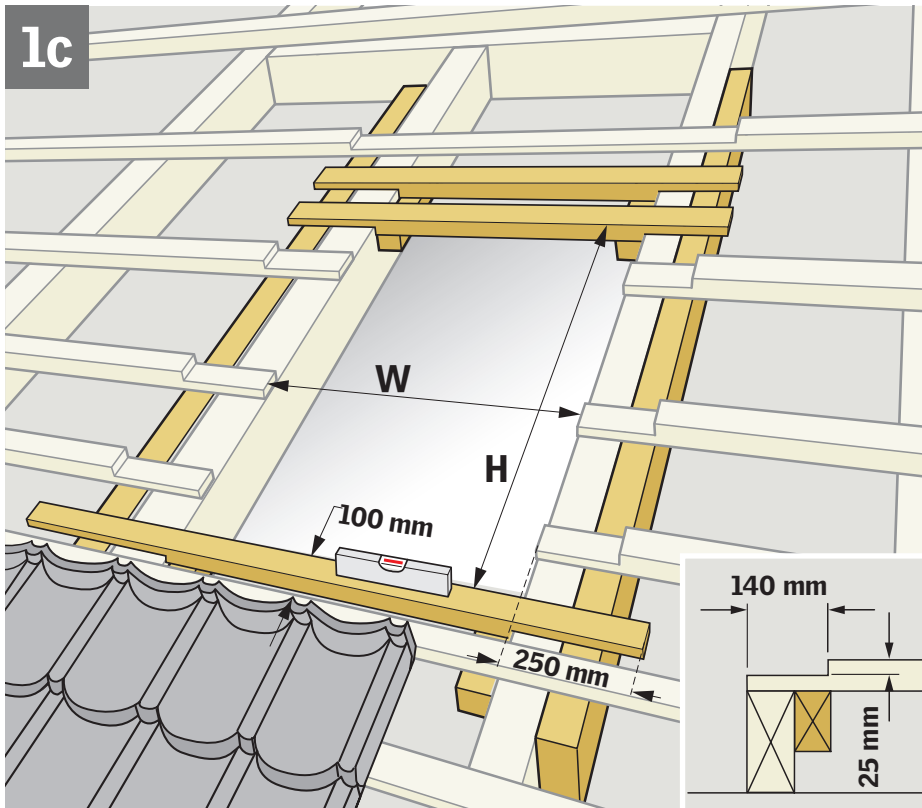
Check for level.

**Important:** Install the EDW saddle flashing before installing the skylight.



## Preparing of roof

1c



### DECRA®, HARVEY™ or CORONA® roofing material with flashing EDW

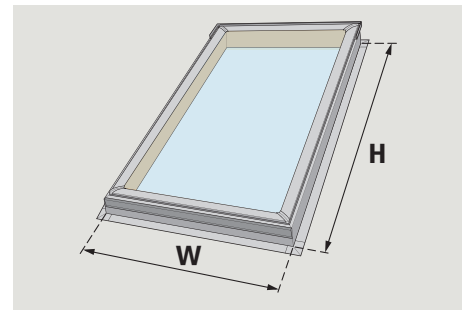
Prepare the rough opening to match the size of the skylight frame.

Install installation and support battens as shown and headers and jack rafter as necessary. Installation battens and support battens must be recessed 25 mm below batten level.

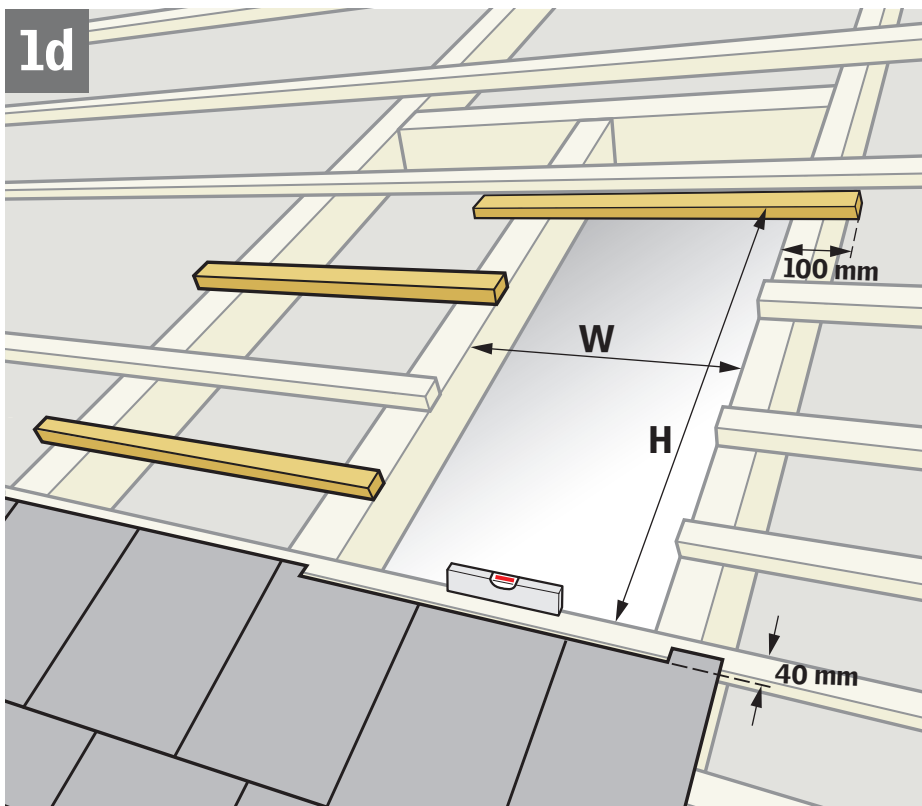
Keep 100 mm distance from edge of roofing batten to top edge of installation batten.

Check for level.

Cut roofing battens down 25 mm deep at sides and at top and 140 mm wide at sides. Install an extra trimmer to support the weakened roofing battens.



1d

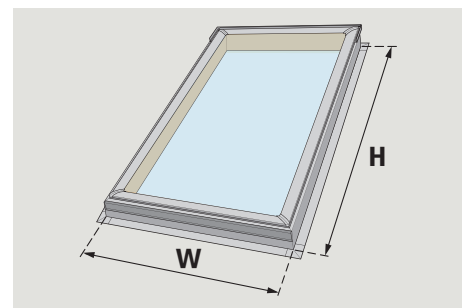


### Shingles/slates with flashing EDL

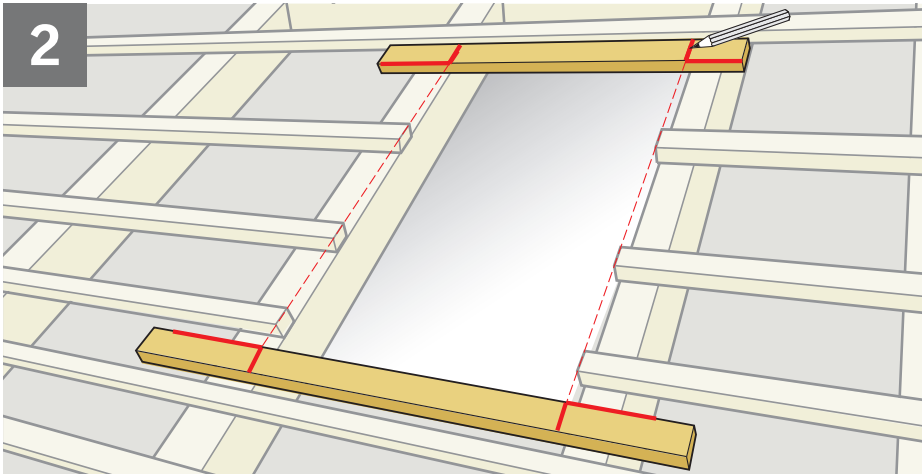
Prepare the rough opening to match the size of the skylight frame.

Install installation batten at top as shown and add support battens at the sides as necessary to support the flashing in minimum 2-3 places.

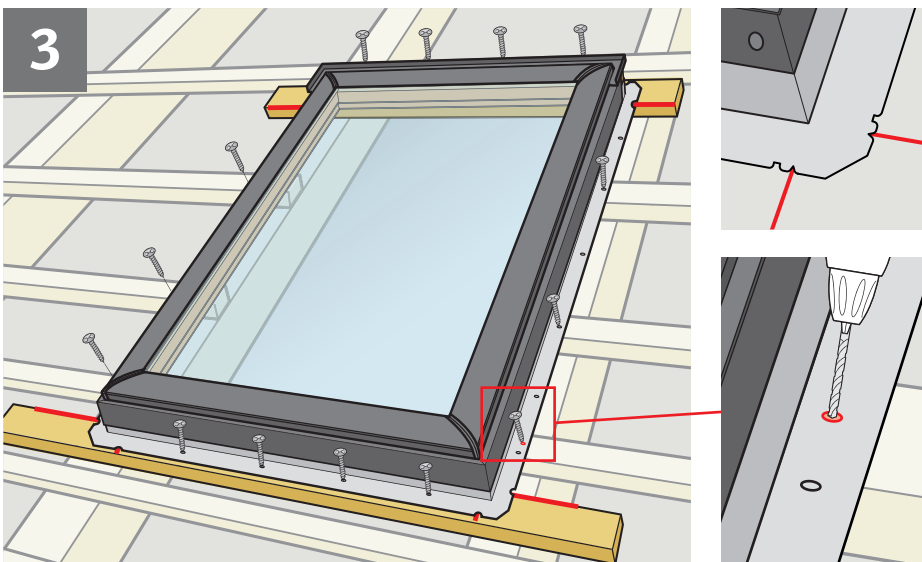
Check for level.



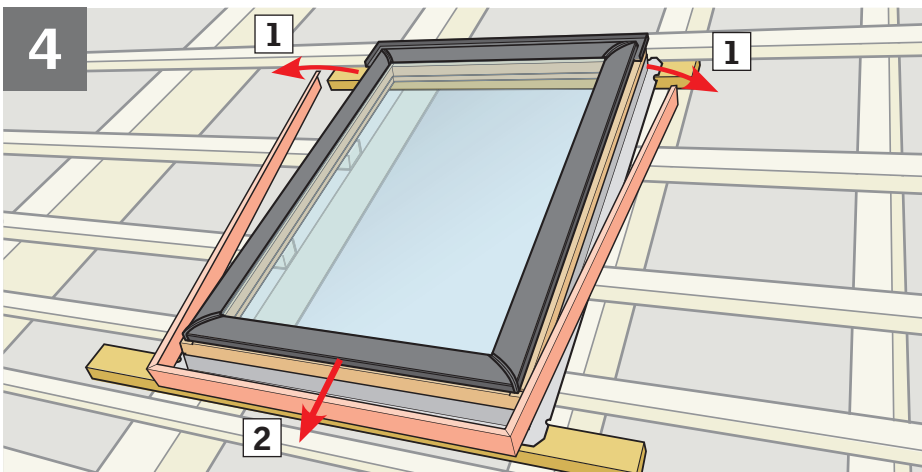
## Attachment of skylight



Mark corners of the rough opening.



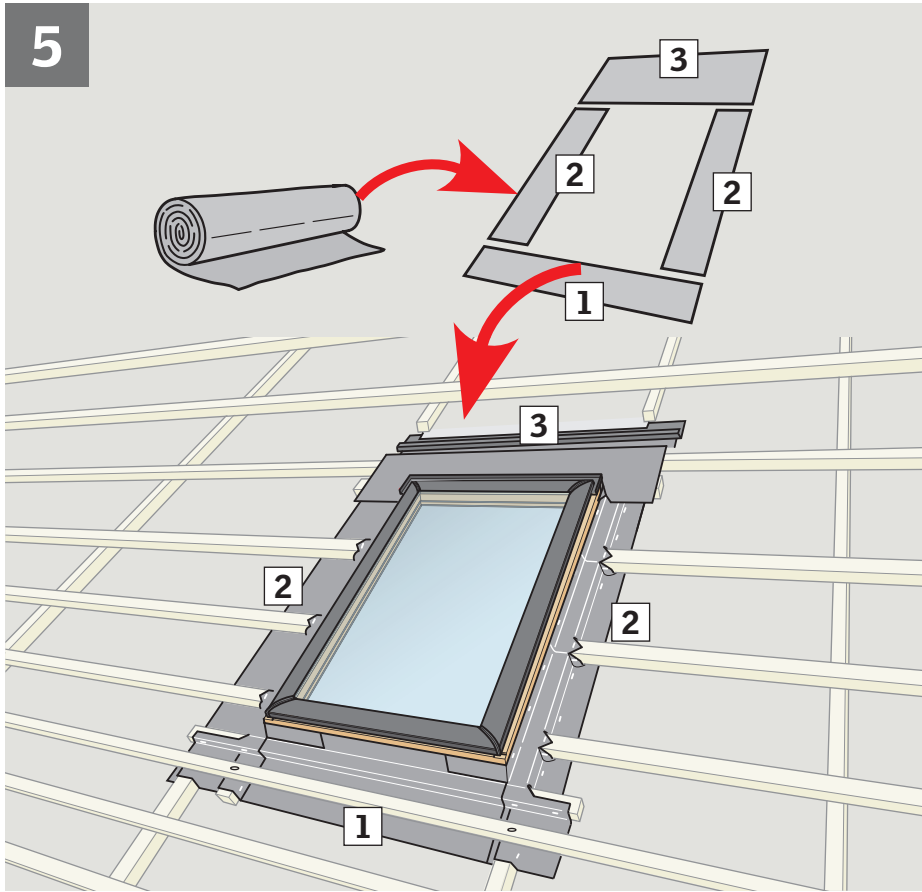
Center the skylight over the rough opening as shown.  
Attach skylight with fasteners provided.  
Drill new holes if existing do not align with the roofing battens.



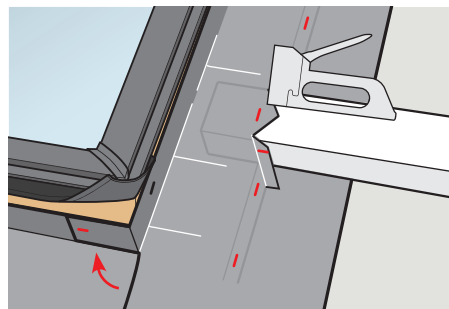
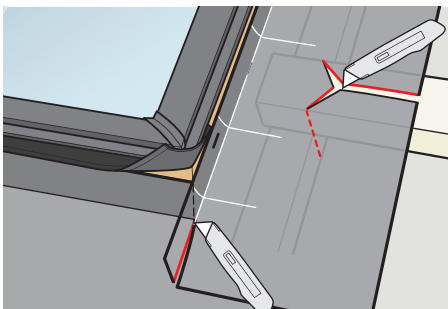
Remove coverings if underlayment is to be used.

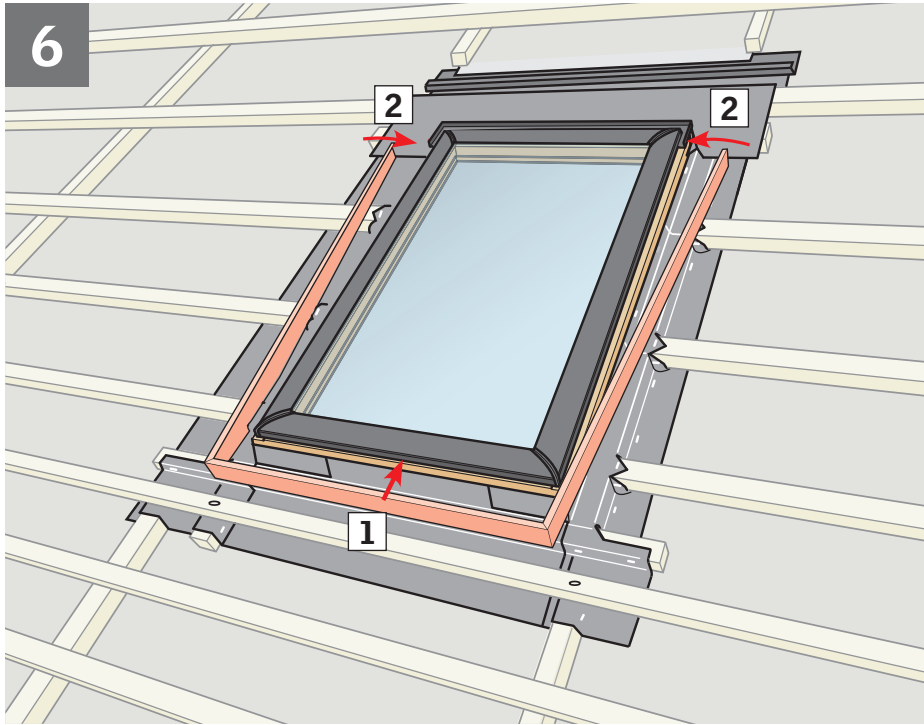
## Installation of roofing underlayment

5

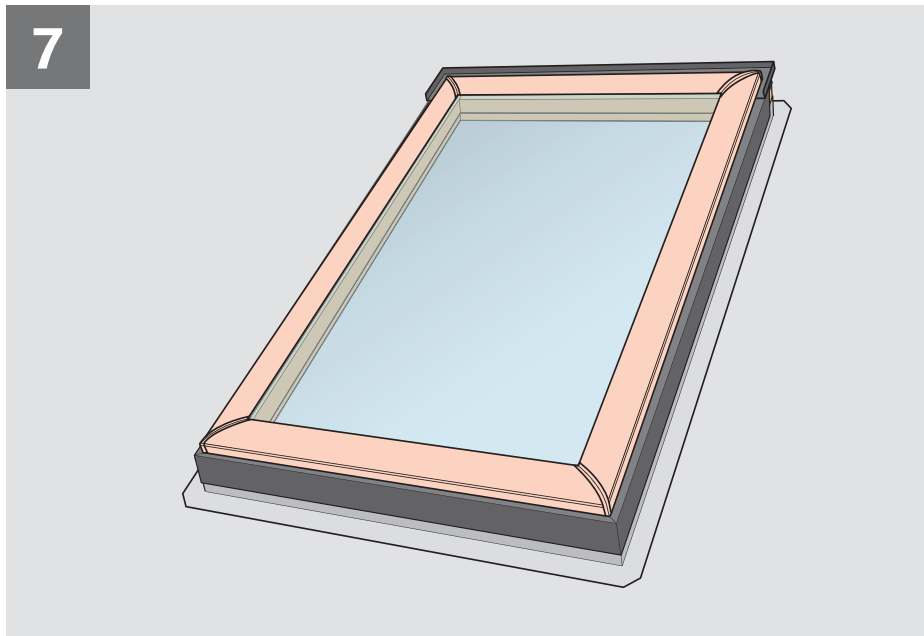


If roofing underlayment is used: Dress roofing underlayment up around all four sides of the frame. Roof with counter battens shown for illustration purpose.





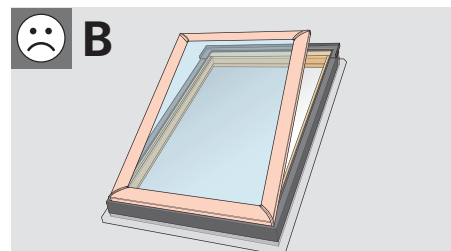
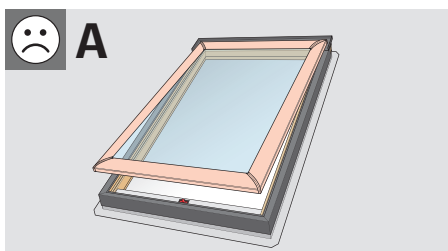
If flashing is not to be installed immediately, replace the cladding parts starting at the bottom. Interlock side frame claddings with bottom frame cladding as shown. Secure the claddings with the original screws.



**Caution:** Removal of sash during installation of the skylight is not recommended. If sash is removed, test and check that it is properly attached at the top and bottom of the skylight frame. If working from an interior room, close the skylight completely. To verify that it is properly attached, carefully push outward on the sash. If working from the roof, close the skylight completely. To verify that it is properly attached, carefully try to lift the sash away from the skylight.

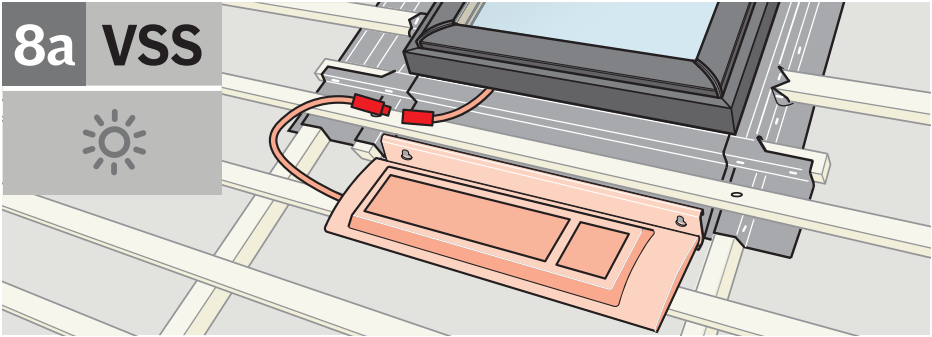
**A:** If the chain is disconnected at the bottom of the skylight, reconnect the chain to the sash.

**B:** If the sash and frame hinges are not properly engaged at the top of the skylight, make sure that the sash is properly engaged by trying to push or lift up the top of the sash near the hinge.

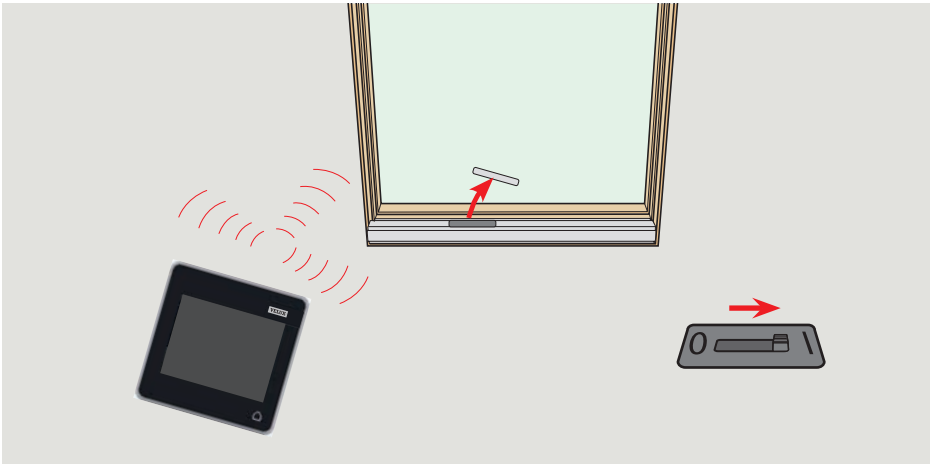




# 8a VSS

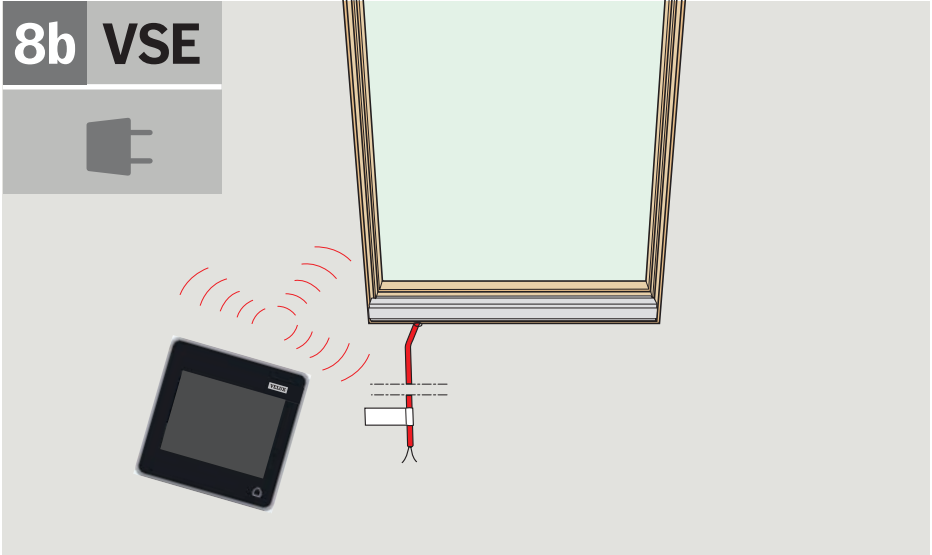


Connect wire as shown and do not install the solar panel until the bottom flashing has been installed.



If not done already, turn on power and refer to KLR 200 instructions for registration and operation of skylight.

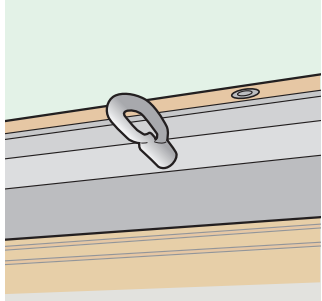
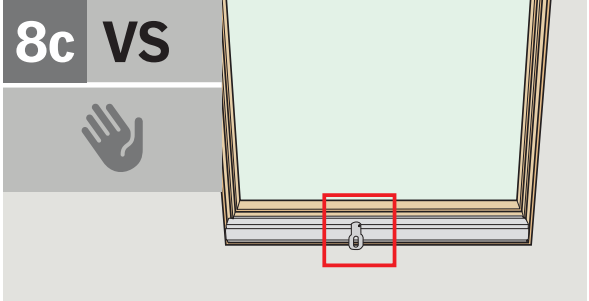
# 8b VSE



Connect plug on power supply cable to approved electrical power outlet. The junction or outlet in/to which the skylight power supply cable is connected must be accessible for inspection when installation is complete.

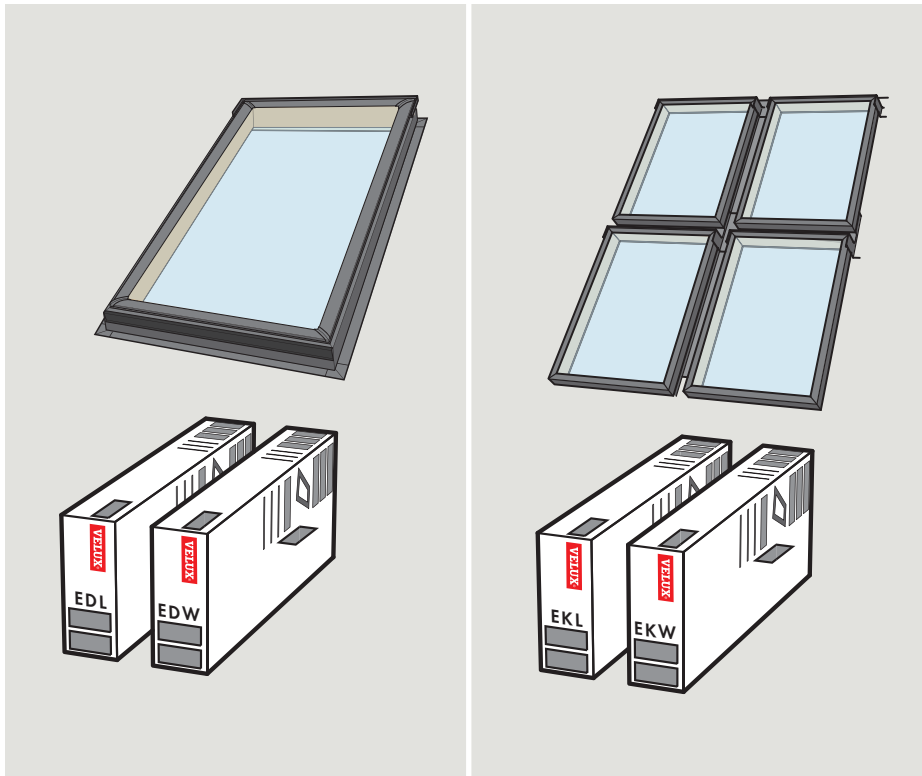
Refer to KLR 200 instructions for registration and operation of skylight.

# 8c VS



Attach hook to operator.

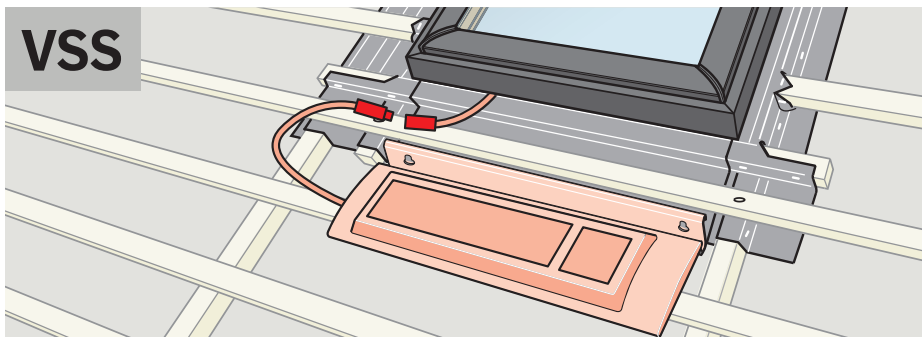
## Flashing



For flashing information, see instructions supplied with the relevant flashing.

Contact your VELUX sales company for grouping/ combi installation of skylights.

**Note:** VSS can only be installed at the bottom in combi-flashing applications.



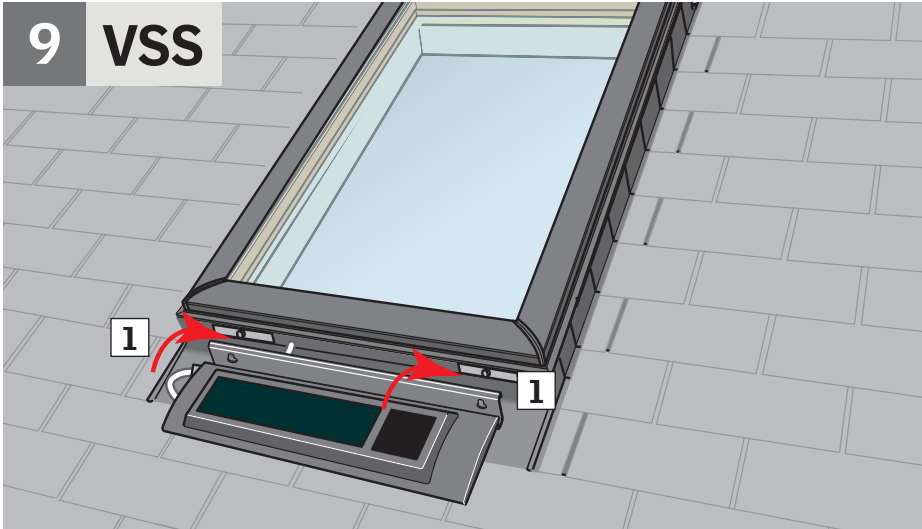
## VSS

**VSS:** The VSS solar panel is installed during installation of the flashing.

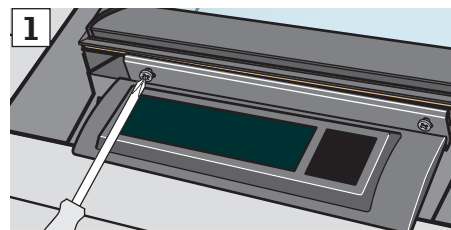
Install flashing at the bottom and sides only and then proceed with step 9 in these instructions.

**Leave these instructions with the skylight until the flashing has been installed**

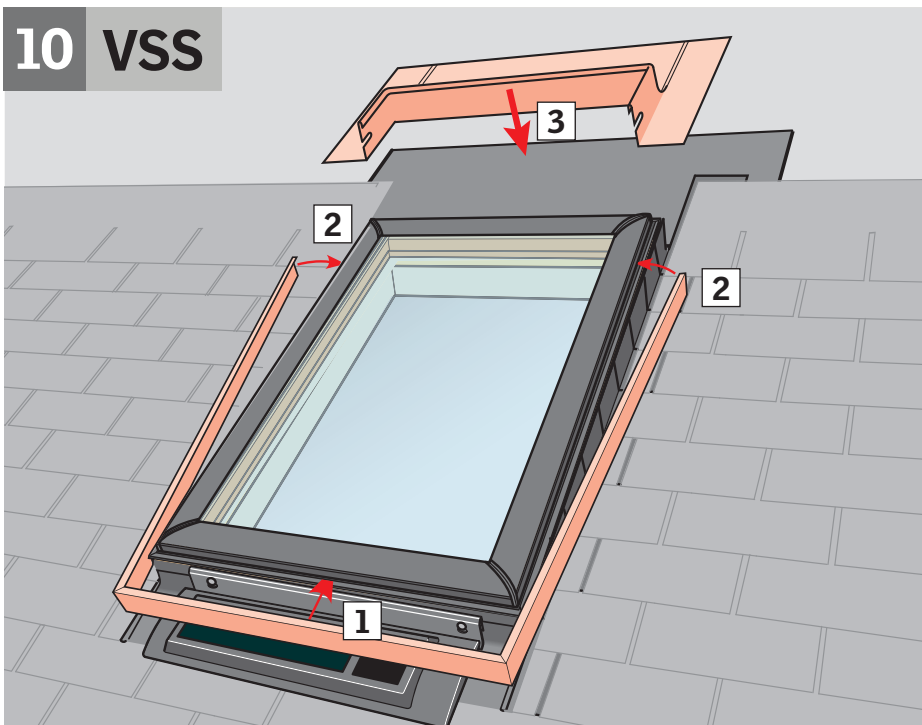
## 9 VSS



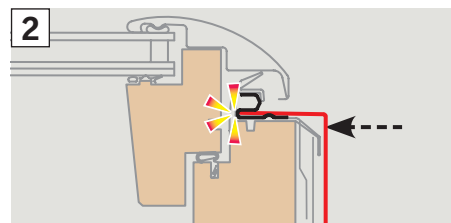
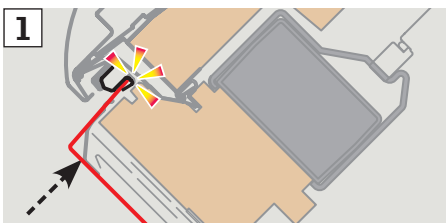
After installation of bottom and side flashing parts, install solar panel as shown and secure the screws (1).



## 10 VSS



Reinstall cladding (1), (2) and continue installation of flashing (3) as shown in these instructions provided with the flashing.





**AU:** VELUX Australia Pty. Ltd  
1300 859 856

**NZ:** VELUX New Zealand Ltd.  
0800 650 445

[www.velux.com](http://www.velux.com)