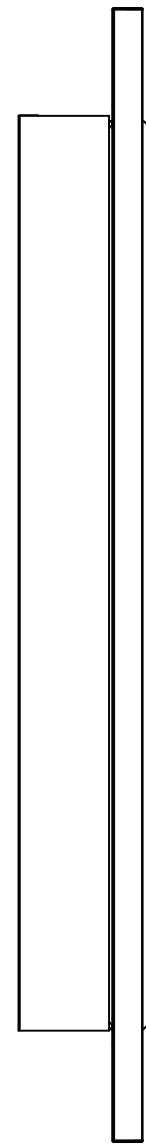
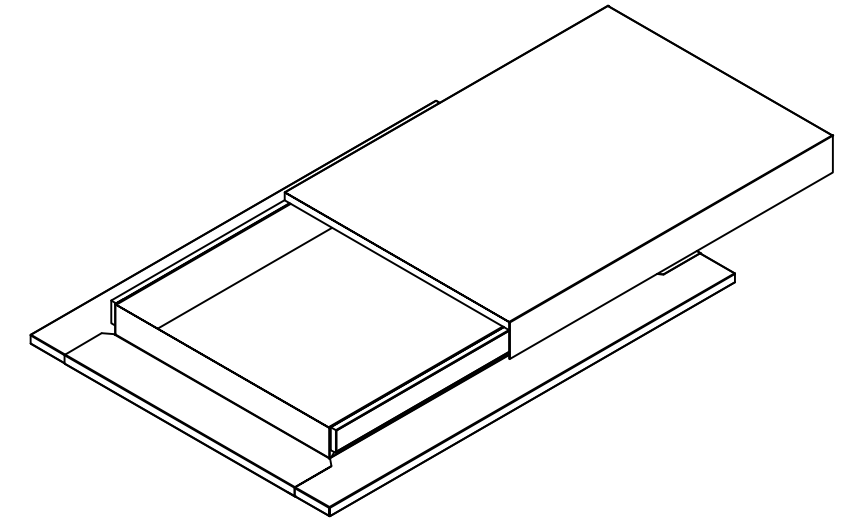


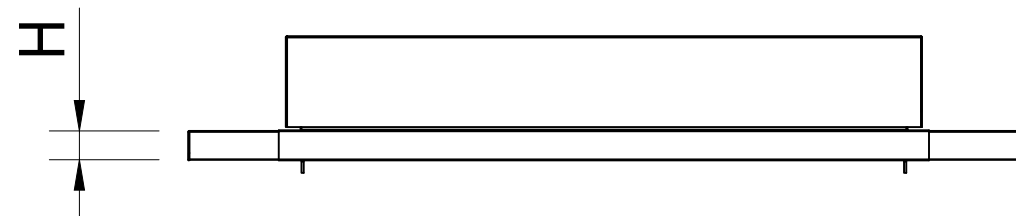
TOP VIEW



SIDE VIEW



ISOMETRIC VIEW



FRONT VIEW

EZISLIDER ROOF ACCESS HATCH - KLIPLOK				
PRODUCT CODE	A (mm)	B (mm)	H (mm)	PRODUCT SIZE (mm)
MSH801200AU	1100	1500	40	800x1200
MSH900AU	1200	1200	40	900x900
MSH1001500AU	1300	1800	40	1000x1500

DO NOT SCALE DRAWINGS, USE FIGURED DIMENSIONS



12 Turbo Road,  
Kings Park,  
NSW 2148  
© 2019 SkySpan  
All Rights Reserved.

COPYRIGHT: THE DESIGN AND DETAILS SHOWN ON THIS DRAWING ARE SPECIFIC TO THIS PROJECT ONLY AND MAY NOT BE REPRODUCED IN WHOLE OR IN PART OR BE USED FOR ANY OTHER PROJECT OR PURPOSE WITHOUT THE WRITTEN CONSENT OF SKYSPAN AUSTRALIA PTY LTD.

Rev.	Issue / Amendment	By	App. Date
P1	ONLINE OVERVIEW	KC	22/03/19

Client

Project  
ONLINE PRODUCT OVERVIEW

Title  
EZISLIDER ROOF ACCESS HATCH  
METALDECK - KLIPLOK

Designed		
Scale at A3	Date	Drawn
	22/03/19	KC
Job No.	Drawing No.	Amdt.
	MSH-AU-K	P1