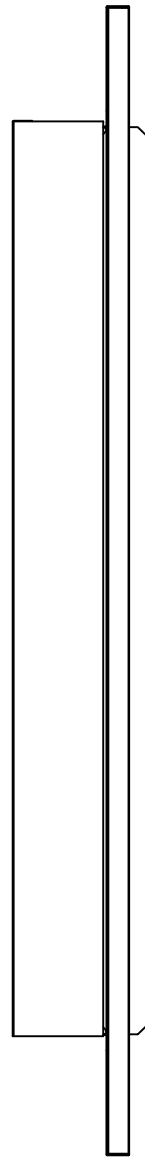
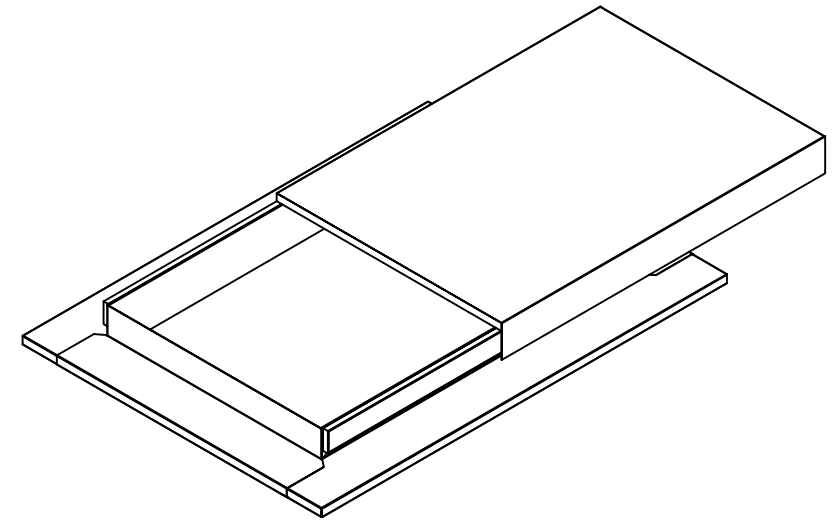


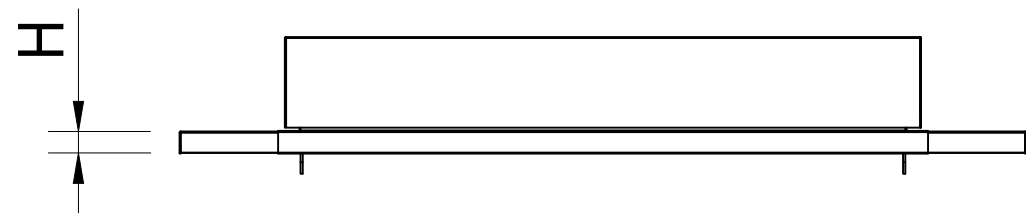
TOP VIEW



SIDE VIEW



ISOMETRIC VIEW



FRONT VIEW

EZISLIDER ROOF ACCESS HATCH - TRIMDEK				
PRODUCT CODE	A (mm)	B (mm)	H (mm)	PRODUCT SIZE (mm)
MSH801200AU	1120	1520	30	800x1200
MSH900AU	1220	1220	30	900x900
MSH1001500AU	1320	1820	30	1000x1500

DO NOT SCALE DRAWINGS, USE FIGURED DIMENSIONS



12 Turbo Road,
Kings Park,
NSW 2148
© 2019 SkySpan
All Rights Reserved.

COPYRIGHT: THE DESIGN AND DETAILS SHOWN ON THIS DRAWING ARE SPECIFIC TO THIS PROJECT ONLY AND MAY NOT BE REPRODUCED IN WHOLE OR IN PART OR BE USED FOR ANY OTHER PROJECT OR PURPOSE WITHOUT THE WRITTEN CONSENT OF SKYSPAN AUSTRALIA PTY LTD.

Rev.	Issue / Amendment	By	App. Date
P1	ONLINE OVERVIEW	KC	22/03/19

Client

Project
ONLINE PRODUCT OVERVIEW

Title
EZISLIDER ROOF ACCESS HATCH
METALDECK - TRIMDEK

Designed RLF	
Scale at A3	Date 22/03/19
Job No.	Drawing No. MSH-AU-T
Drawn KC	
Amdt. P1	