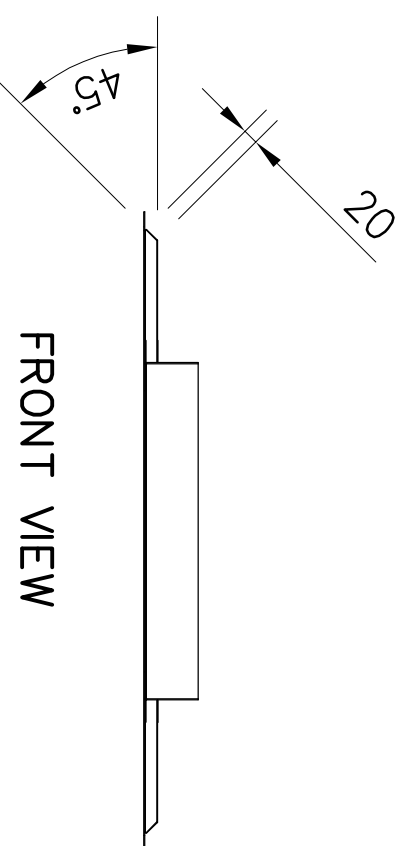


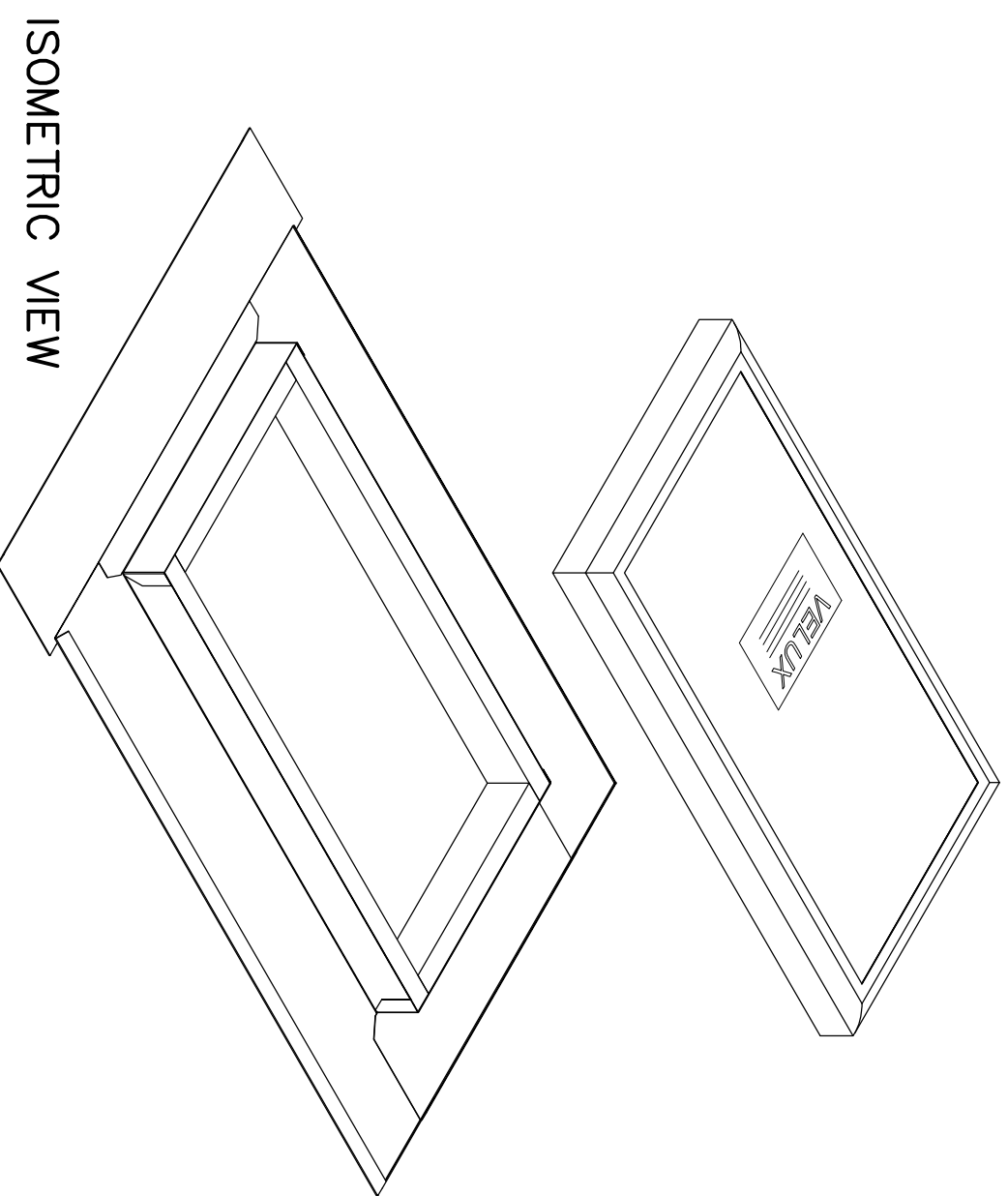
TOP VIEW



SIDE VIEW



FRONT VIEW



ISOMETRIC VIEW

FLASHING FOR (FCM) tile roof type				INNER GLASS DIMENSIONS (mm)
SKYSPAN PRODUCT CODE	VELUX PRODUCT CODE	A (mm)	B (mm)	
V1430TFTU	1430	805	1244	368x775
V222TFTU	2222	1008	1041	572x572
V2230TFTU	2230	1008	1244	572x775
V2234TFTU	2234	1008	1345	572x877
V2246TFTU	2246	1008	1650	572x1181
V2270TFTU	2270	1008	3260	572x1792
V3030TFTU	3030	1211	1244	775x775
V3046TFTU	3046	1211	1650	775x1181
V3434TFTU	3434	1312	1345	876x876
V4646TFTU	4646	1617	1650	1181x1181

DO NOT SCALE DRAWINGS, USE FIGURED DIMENSIONS

Rev. Issue / Amendment  
P1 ONLINE OVERVIEW

By App. Date  
GF 14/07/16

Client

SKYSPAN

Project  
ONLINE PRODUCT OVERVIEW

Title  
FCM FLASHING  
TILE ROOF PROFILE

Designed  
GF

Scale at A3

Date  
14/07/16

Drawn  
GF

Job No.  
005

Drawing No.  
VXXTFTU

Amtd.  
P1



12 Tapp Road,  
Rif 2116  
© 2015 Skyspan  
All Rights Reserved

COPYRIGHT: THE DESIGN AND DETAILS SHOWN ON THIS DRAWING ARE SPECIFIC TO THIS PROJECT ONLY AND MAY NOT BE REPRODUCED IN WHOLE OR IN PART OR BE USED FOR ANY OTHER PROJECT OR PURPOSE WITHOUT THE WRITTEN CONSENT OF EXPERT ENGINEERING PTY LTD.