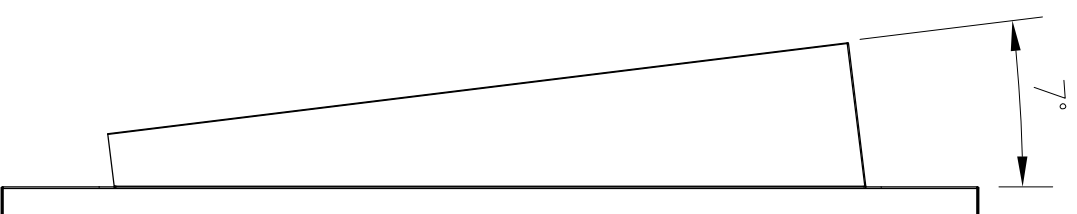
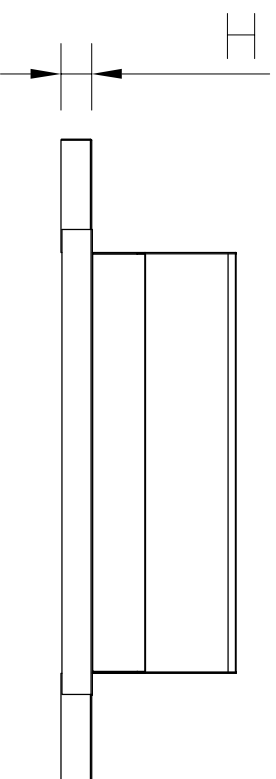
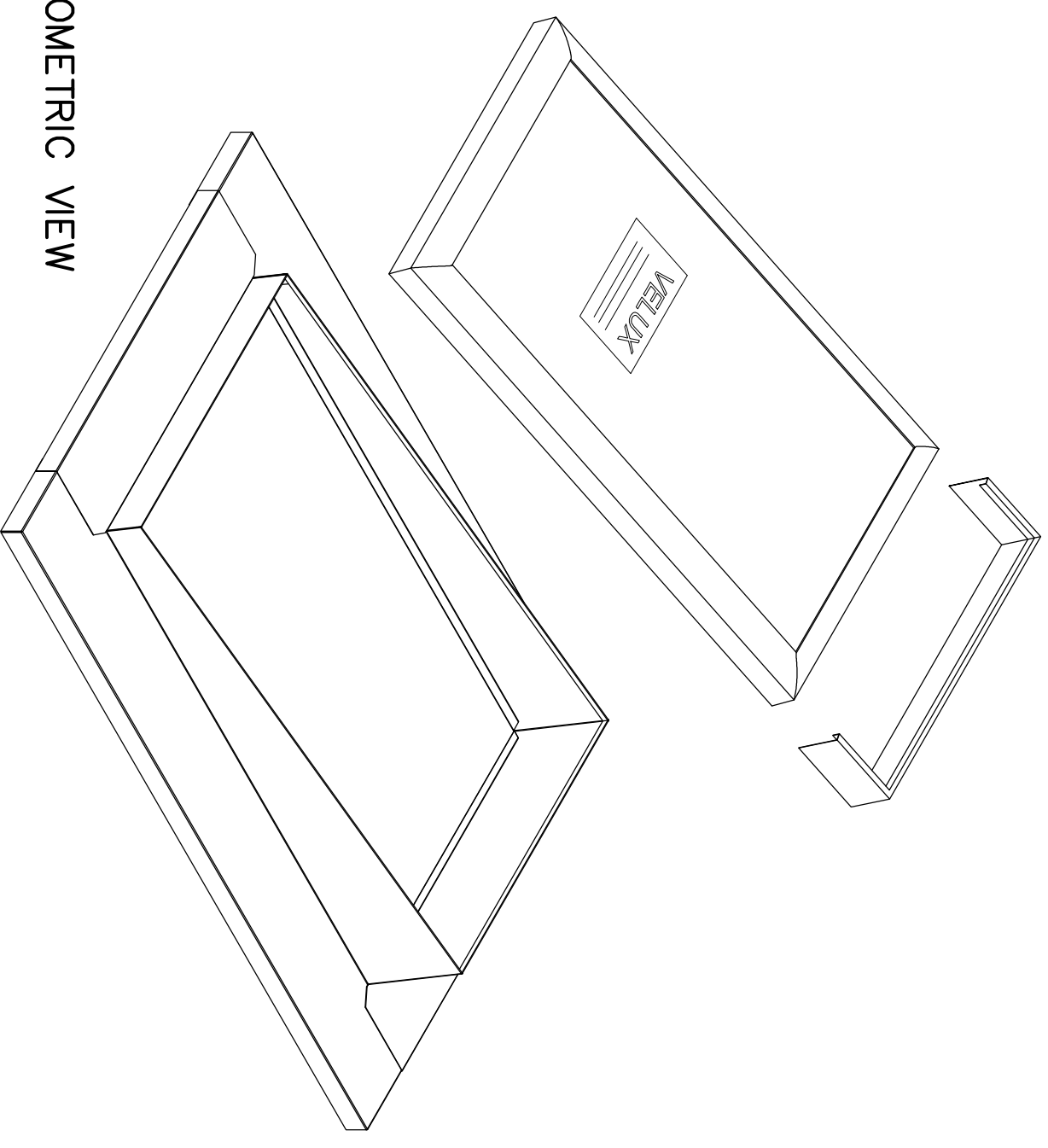


TOP VIEW



SIDE VIEW

ISOMETRIC VIEW



FRONT VIEW

LEGEND:
 A = WIDTH
 B = LENGTH
 H = HEIGHT

PITCH ADAPTOR 7° KLIPLOK_CLASSIC roof type					
SKYSPAN PRODUCT CODE	VELUX PRODUCT CODE	A (mm)	B (mm)	H (mm)	SKYLIGHT SIZE (mm)
V7-5570PAAU	C01	855	1010	40	550x700
V7-5578PAAU	C02	855	1090	40	550x780
V7-5598PAAU	C04	855	1290	40	550x980
V7-55118PAAU	C06	855	1490	40	550x1180
V7-55140PAAU	C08	855	1710	40	550x1400
V7-78118PAAU	M04	1085	1290	40	780x980
V7-78118PAAU	M06	1085	1490	40	780x1180
V7-78140PAAU	M08	1085	1710	40	780x1400
V7-11470PAAU	S01	1445	1010	40	1140x700
V7-114118PAAU	S06	1445	1490	40	1140x1180

DO NOT SCALE DRAWINGS, USE FIGURED DIMENSIONS

Rev. Issue / Amendment
 P1 ONLINE OVERVIEW

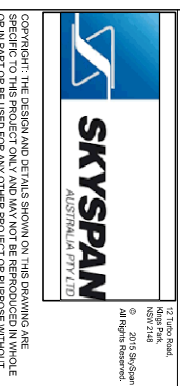
By App. Date
 GF 12/07/16

Client

SKYSPAN

Project

ONLINE PRODUCT OVERVIEW



Copyright: THE DESIGN AND DETAILS SHOWN ON THIS DRAWING ARE SPECIFIC TO THIS PRODUCT ONLY, AND MAY NOT BE REPRODUCED IN WHOLE OR IN PART OR BE USED FOR ANY OTHER PROJECT OR PURPOSE WITHOUT THE WRITTEN CONSENT OF EVENT ENGINEERING PTY LTD.

The
 PITCH ADAPTOR 7°
 METAL DECK_KLIPLOK_CLASSIC
 ROOF PROFILE

Scale of A3
 /
 Job No. 004
 Date 12/07/16
 Drawing No. V7-PA(AU)
 Drawn GF
 Designed GF
 Amdt. P1